

1 2 3 4 5 6 7 8

A

B

C

D

E

F

A

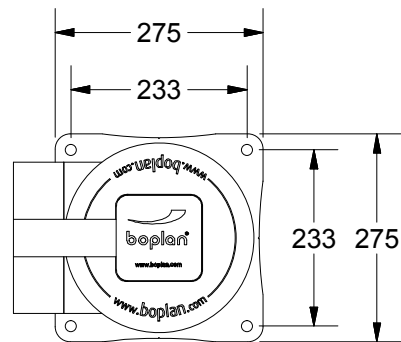
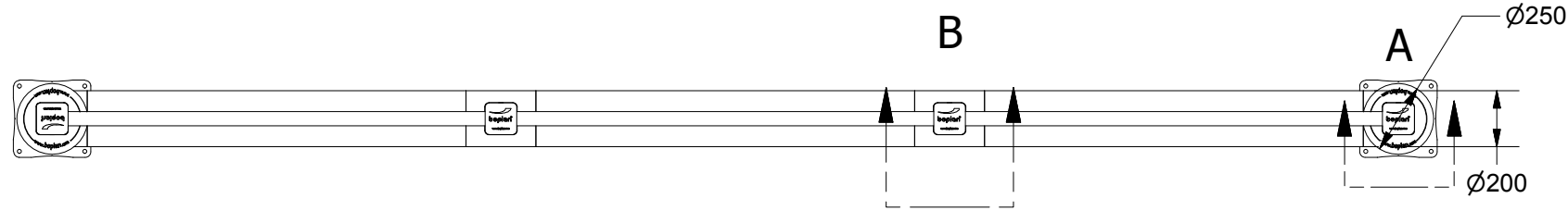
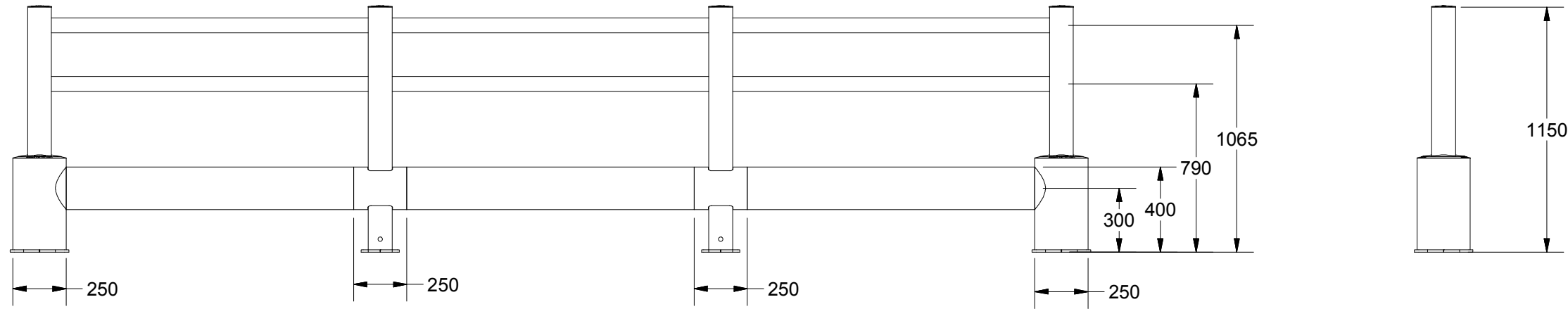
B

C

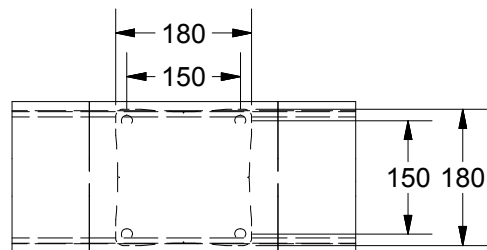
D

E

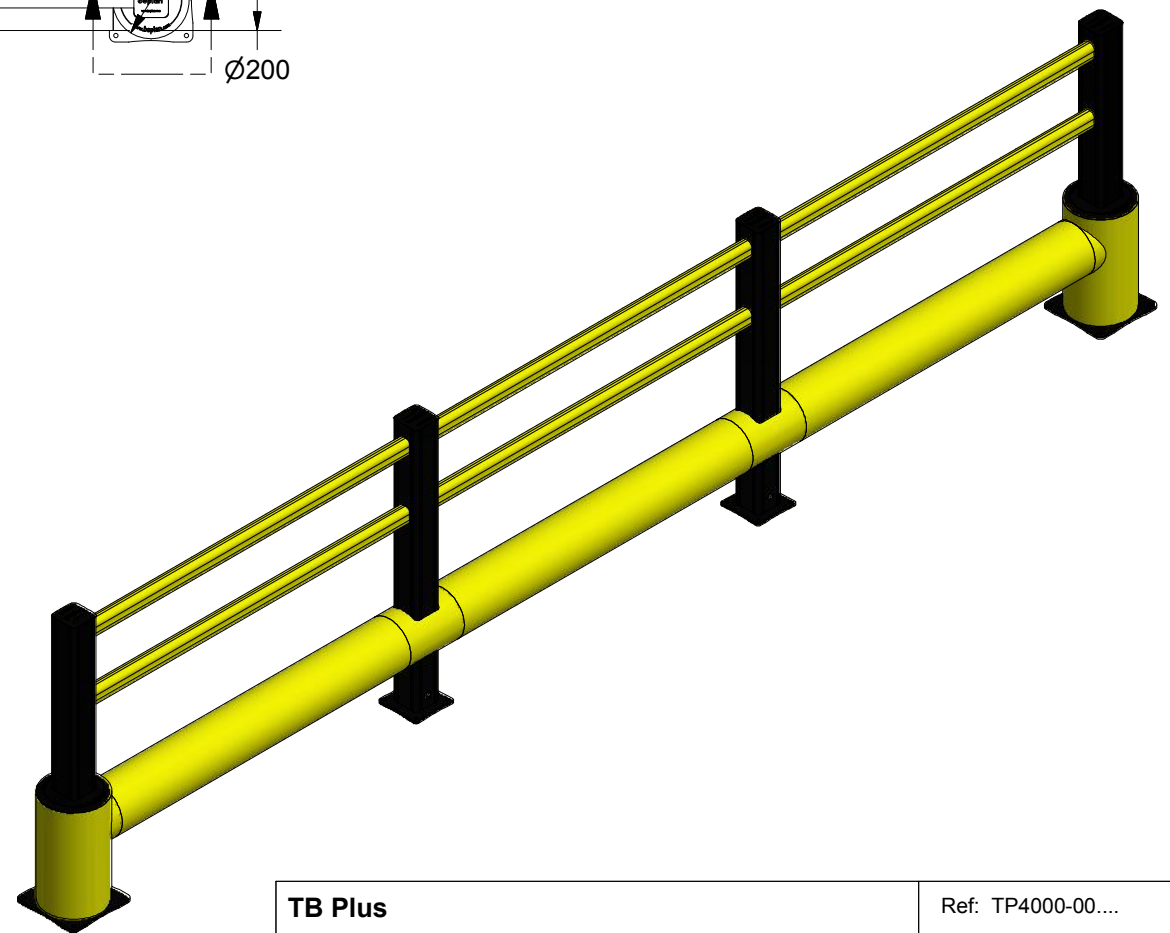
F




DETAIL A
SCALE 1/10
END POST



DETAIL B
SCALE 1/10
MID POST



TB Plus			Ref: TP4000-00....	
projection	scale 1/25	format A3	Maingroup : IM	Subgroup : TB
Tolerance		Linear (unless noted) - +/-1mm	Ref: TB1004/....	
		Angular (Unless noted) - +/-1°		
		Radius (Unless noted) - 0.5		
Drawn by : d.delbeke@boplan.be			Date: 11/08/2017	
Checked by : t.devoldere@boplan.com				
 www.boplan.com <small>Boplan (Head office) Muziekaat 12 D-8550 Moorsele Belgium</small>			<small>THIS DOCUMENT IS THE PROPERTY OF BOPLAN. USE IS AUTHORIZED ONLY FOR THE RESPONDING TO A REQUEST FOR QUOTATION OR FOR THE PERFORMANCE OF WORK FOR BOPLAN. MORE DOCUMENTS AT BOPLAN.COM</small>	
				SHEET: 1

1 2 3 4 5 6 7 8