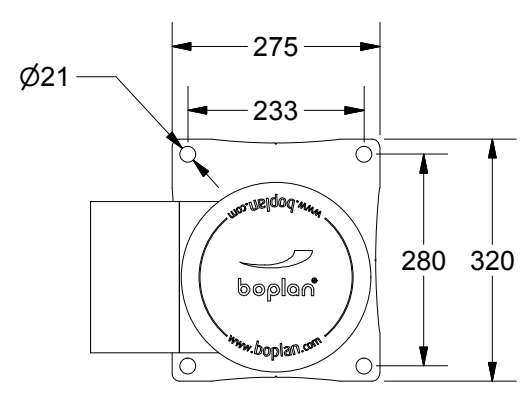
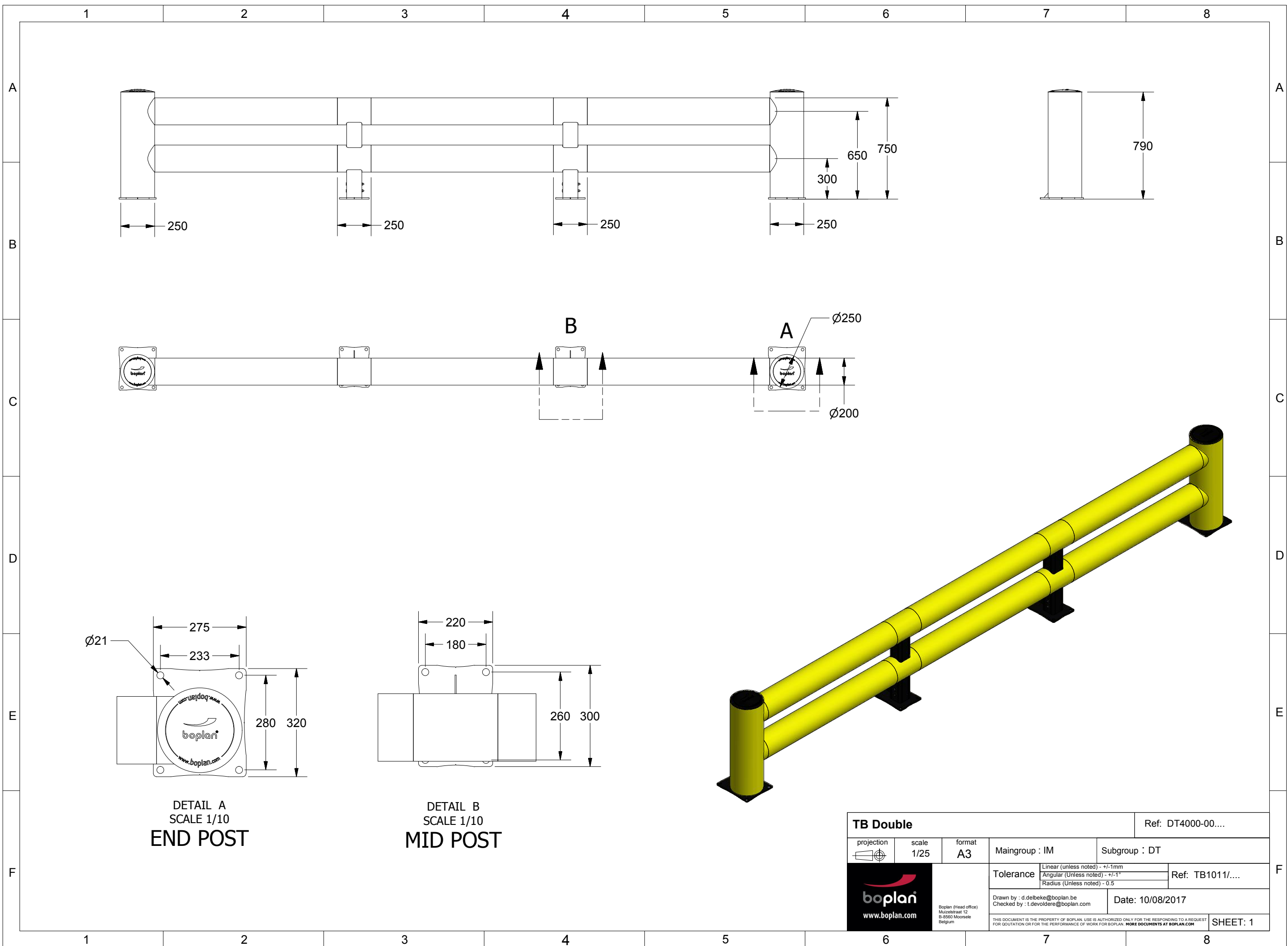
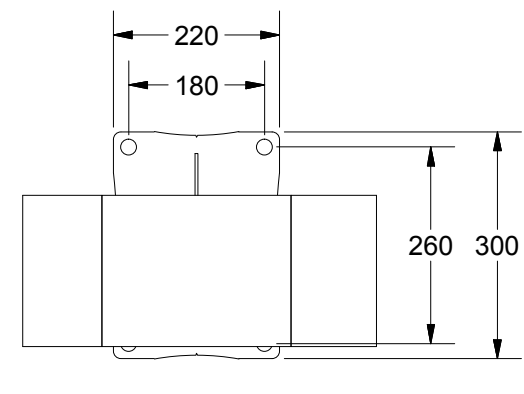


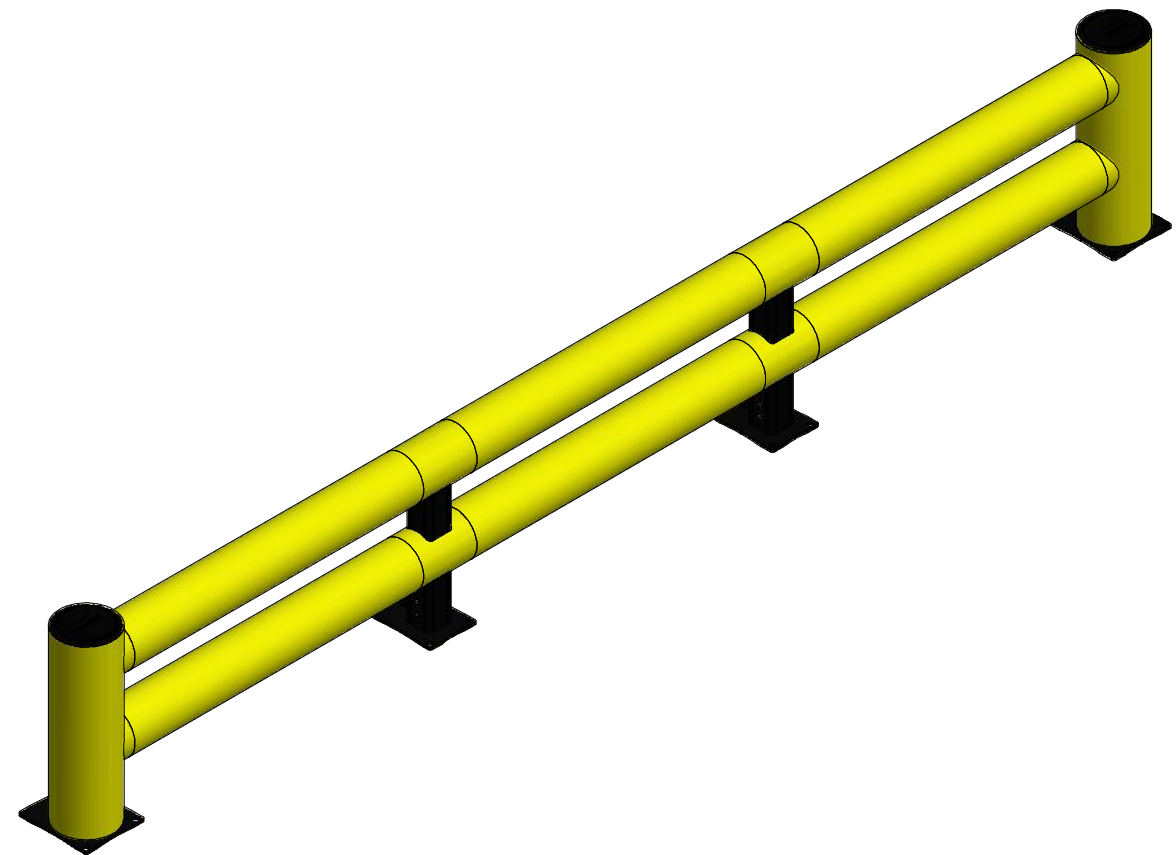
CT




DETAIL A
SCALE 1/10
END POST



DETAIL B
SCALE 1/10
MID POST



TB Double			Ref: DT4000-00....	
projection	scale 1/25	format A3	Maingroup : IM	Subgroup : DT
 www.boplan.com <small>Boplan (Head office) Muzelstraat 12 B-3550 Moorsele Belgium</small>			Tolerance Linear (unless noted) - +/-1mm Angular (Unless noted) - +/-1° Radius (Unless noted) - 0.5	Ref: TB1011/....
Drawn by : d.delbeke@boplan.be Checked by : t.devoldere@boplan.com			Date: 10/08/2017	
<small>THIS DOCUMENT IS THE PROPERTY OF BOPLAN. USE IS AUTHORIZED ONLY FOR THE RESPONDING TO A REQUEST FOR QUOTATION OR FOR THE PERFORMANCE OF WORK FOR BOPLAN. MORE DOCUMENTS AT BOPLAN.COM</small>				SHEET: 1