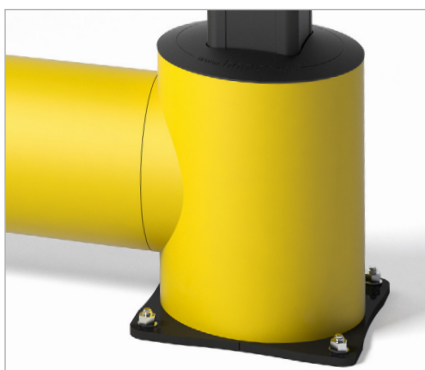


# TB 260 GRILL BARRIER BOPLAN SPECIFICATION SHEET

Revision: 10 August 2021 4:10 PM  
Boplan reference: GB2...



## PRODUCT SPECIFICATIONS

### APPLICATION

Environment	Single tube traffic barrier protects people against the impact of forklifts and falling goods.
Impact performance at 90° (in JOULE)	POST: 12000 Joule (Eq. to 5ton - 7.9 km/h)
	RAIL: 21200 Joule (Eq. to 5ton - 10.5 km/h)

### MATERIAL

Posts and rails	Polyolefin - UV resistant - Fire class E <sup>+</sup> - Non conductive - Impervious to most chemicals*
Caps	SEBS rubber

### STANDARD COLORS

End post	Yellow
Mid post	Yellow
Impact tube	Yellow
Handrails	Yellow

### BASEPLATES

	Steel	Zinc Coated Steel	Stainless steel
Material	Steel 37		
Coating	Lacquered		
Color	High gloss black		

\*Classification according to EN 13501-1:2007 +A1:2009 - Fire classification of construction products and building elements.  
\*\*Ask your local sales office for resistance to specific chemicals.


### FIXATIONS

	ZINC COATED	Stainless steel
<b>CONCRETE SCREW</b> 	Length = 100 mm Size = Ø12 mm Drill hole Ø screw = 10 mm Sw: 15 mm Max load (pull out) = 7.7 kN	
<b>THREADED ROD (WITH CHEMICAL ANCHOR)</b> 	Length = 120 mm Size = M12 Drill hole Ø screw = 14 mm Max load (pull out) = 16 kN	

## FEATURES AND FUNCTIONALITY

SIZE	
Height end posts	maximum 3075 mm
Height mid post	maximum 3075 mm
Profile section tubes	Ø200 mm (11 mm thick)
Profile section handrails	50 mm x 70 mm (6 mm thick)
Profile section end posts	Outer tube: Ø250 mm (11 mm thick) Inner profile: 112 mm x 112 mm (10 mm thick)
Profile section mid posts	Profile: 112 mm x 112 mm (10 mm thick)
Standard rail length (cc)	1350mm (center - center 1600mm)
Baseplate	End Post: 275 mm x 275 mm x 10 mm Mid Post: 180 mm x 180 mm x 10 mm

REQUIREMENTS	
Concrete quality	minimum C25/30
Concrete floor plate thickness (mm)	minimum 150 mm
Concrete slab dimension around posts (mm)	600 (h) x 600 (w) x 300 (d)
Operational temperature	-10°C up to +40°C
Water and humidity	<b>Steel (standard):</b> dry indoor use only. <b>Zinc coated:</b> outdoor use in most environments. <b>Stainless Steel:</b> outdoor use or frequent exposure to water and humidity.



### IMPACT LABEL FOR SAFETY BARRIERS

BOPLAN TB260 GRILL BARRIER	45°	90° <small>PAS 13:2017 compliant</small>
<b>IMPACT RATING</b>		
E80	< 80 kJ	
E60	< 60 kJ	
E50	< 50 kJ	
E40	< 40 kJ	
E35	< 35 kJ	
E30	<b>30,0 kJ</b>	
E25	< 25 kJ	
E20	< 20 kJ	
E15	< 15 kJ	
E10	< 10 kJ	
E5	< 5,0 kJ	
E2	< 2,5 kJ	
		<b>21,2 kJ</b>

**TEST CONDITIONS**

TEMPERATURE: 20°C  
IMPACT HEIGHT: 160 mm  
IMPACT ANGLE: 90°  
TEST FLOOR: CONCRETE C25/30 - 160 mm  
MANUFACTURER ANCHOR PULL OUT: 7,9 kN

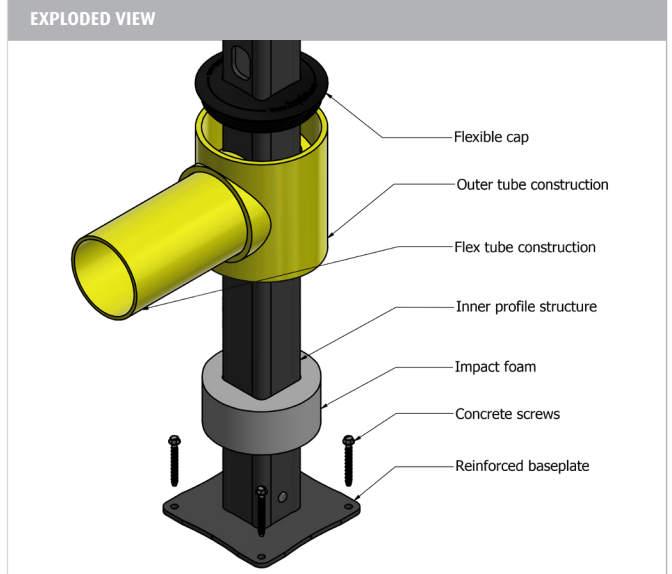
**TEST VEHICLE**

WEIGHT: 2300 KG  
TYPE: COMMERCIAL FORK LIFT  
SIZE (L x W x h): 1890 x 1020 x 1970 mm  
CONTACT AREA: STEEL BUMPER WIDTH: 600 mm

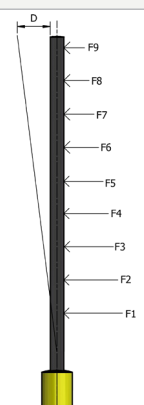
**ACCREDITED TEST LABORATORY**

620 Route des Fromentaux  
01500 Saint-Maurice-de-Rémens  
01360 Beligneux  
France

**SUCCESS CRITERIA** VEHICLE STOPPED - ASI (ACCELERATION SEVERITY INDEX) < 0.5



HOLDING POWER		
	Force*	Deflection**
3075mm - 9R	F9 = 2600 N	825 mm
2800mm - 8R	F8 = 2900 N	780 mm
2525mm - 7R	F7 = 3300 N	730 mm
2250mm - 6R	F6 = 3800 N	665 mm
1975mm - 5R	F5 = 4500 N	585 mm
1700mm - 4R	F4 = 5600 N	505 mm
1425mm - 3R	F3 = 7300 N	405 mm
1150mm - 2R	F2 = 10800 N	300 mm
875mm - 1R	F1 = 19500 N	175 mm



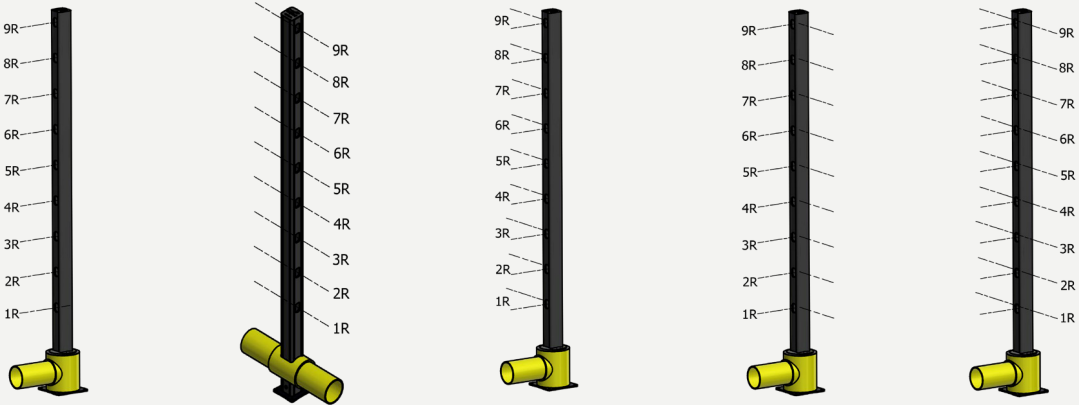
\* Force acting on the center of the hand rails (between posts)  
\*\* Deflection (D) measured on top side.



## REFERENCE LIST - TB260 GRILL BARRIER

### POSTS

	End post	Mid post	Corner post 90° Up	Corner post 90° Down	T-end post (incl. caps)
3075mm - 9R	GB2275-3075-EPYE	GB2275-3075-MPYE	GB2275-3075-CPUYE	GB2275-3075-CPDYE	GB2275-3075-TPYE
2800mm - 8R	GB2275-2800-EPYE	GB2275-2800-MPYE	GB2275-2800-CPUYE	GB2275-2800-CPDYE	GB2275-2800-TPYE
2525mm - 7R	GB2275-2525-EPYE	GB2275-2525-MPYE	GB2275-2525-CPUYE	GB2275-2525-CPDYE	GB2275-2525-TPYE
2250mm - 6R	GB2275-2250-EPYE	GB2275-2250-MPYE	GB2275-2250-CPUYE	GB2275-2250-CPDYE	GB2275-2250-TPYE
1975mm - 5R	GB2275-1975-EPYE	GB2275-1975-MPYE	GB2275-1975-CPUYE	GB2275-1975-CPDYE	GB2275-1975-TPYE
1700mm - 4R	GB2275-1700-EPYE	GB2275-1700-MPYE	GB2275-1700-CPUYE	GB2275-1700-CPDYE	GB2275-1700-TPYE
1425mm - 3R	GB2275-1425-EPYE	GB2275-1425-MPYE	GB2275-1425-CPUYE	GB2275-1425-CPDYE	GB2275-1425-TPYE



### RAIL SETS

	CC1000mm 750mm - YE	CC1200mm 950mm - YE	CC1400mm 1150mm - YE	CC1600mm 1350mm - YE	CC1800mm 1550mm - YE	CC2000mm 1750mm - YE	Short rail CC850-1599 - YE	Long rail CC1601-2000 - YE	Conn.tube Ø250 350mm - 90° - YE
9R	GBR900-0750-1000YE	GBR900-0950-1200YE	GBR900-1150-1400YE	GBR900-1350-1600YE	GBR900-1550-1800YE	GBR900-1750-2000YE	GBR909-1599-SRYE	GBR909-2000-LRYE	GBR900-0350-C259YE
8R	GBR800-0750-1000YE	GBR800-0950-1200YE	GBR800-1150-1400YE	GBR800-1350-1600YE	GBR800-1550-1800YE	GBR800-1750-2000YE	GBR809-1599-SRYE	GBR809-2000-LRYE	GBR800-0350-C259YE
7R	GBR700-0750-1000YE	GBR700-0950-1200YE	GBR700-1150-1400YE	GBR700-1350-1600YE	GBR700-1550-1800YE	GBR700-1750-2000YE	GBR709-1599-SRYE	GBR709-2000-LRYE	GBR700-0350-C259YE
6R	GBR600-0750-1000YE	GBR600-0950-1200YE	GBR600-1150-1400YE	GBR600-1350-1600YE	GBR600-1550-1800YE	GBR600-1750-2000YE	GBR609-1599-SRYE	GBR609-2000-LRYE	GBR600-0350-C259YE
5R	GBR500-0750-1000YE	GBR500-0950-1200YE	GBR500-1150-1400YE	GBR500-1350-1600YE	GBR500-1550-1800YE	GBR500-1750-2000YE	GBR509-1599-SRYE	GBR509-2000-LRYE	GBR500-0350-C259YE
4R	GBR400-0750-1000YE	GBR400-0950-1200YE	GBR400-1150-1400YE	GBR400-1350-1600YE	GBR400-1550-1800YE	GBR400-1750-2000YE	GBR409-1599-SRYE	GBR409-2000-LRYE	GBR400-0350-C259YE
3R	GBR300-0750-1000YE	GBR300-0950-1200YE	GBR300-1150-1400YE	GBR300-1350-1600YE	GBR300-1550-1800YE	GBR300-1750-2000YE	GBR309-1599-SRYE	GBR309-2000-LRYE	GBR300-0350-C259YE
2R	GBR200-0750-1000YE	GBR200-0950-1200YE	GBR200-1150-1400YE	GBR200-1350-1600YE	GBR200-1550-1800YE	GBR200-1750-2000YE	GBR209-1599-SRYE	GBR209-2000-LRYE	GBR200-0350-C259YE

Rails 275 mm center - center

