

SG DROP GATE BOPLAN SAFETY GATES SPECIFICATION SHEET

Revision: 28 April 2021 11:33 AM
Boplan reference: SG06.-



PRODUCT SPECIFICATIONS

APPLICATION

Environment	Safety gate that opens with an upward movement. Gate in between pedestrian zone and high traffic zone. Indoor use.
Features	For closing off access ways that have insufficient space to install a classic swing gate. Range of standards lengths available. Can be mounted on different FLEX IMPACT® systems. UV resistant. Impervious to most chemical products**

MATERIAL

Gate rails	Polyolefin - UV resistant - Fire class E [*] - Non conductive - Impervious to most chemicals**
Fixations and springs	Steel
End cap / support / hinge	Lacquered aluminium

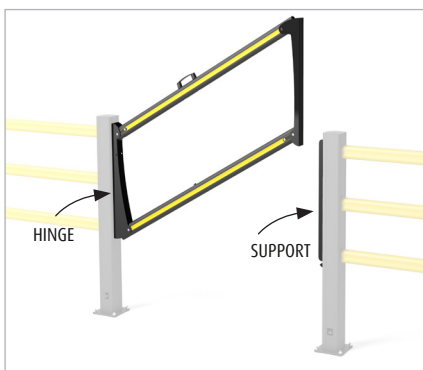
STANDARD COLORS

Gate rails	Black / yellow
End cap	Black

FIXATIONS (included)

To fix hinge	<p>Bolts: M12x40mm - ZC (2x) Nuts: M12 - ZC (2x)</p>
To fix support	<p>Bolts: M8 x 35mm - ZC (2x) Nuts: M8 - ZC (2x)</p>

*Classification according to EN 13501-1:2007 +A1:2009 - Fire classification of construction products and building elements.
**Ask your local sales office for resistance to specific chemicals.



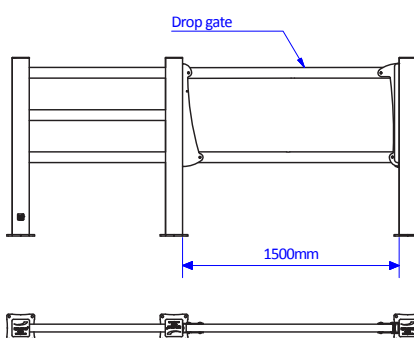
FEATURES AND FUNCTIONALITY

ATTACH TO	
Boplan HP plus	
Boplan TB400 Plus Boplan TB260 Plus	

REQUIREMENTS	
Compatible	HP Plus handrails systems. TB400 Plus TB260 Plus
Environment	Indoor use only.
Operational temperature	-10°C up to + 40°C
Use	To be opened manually. Not indented for vehicle impact.
SIZE	
Standard Length	1000 mm 1500 mm
Variable Length	800 mm up to 1499 mm
Section gate rail	(H) 70 mm x (W) 50 mm
Weight (incl hinge, fixations,...)	10.2 kg (1000 mm version) 11.4 kg (1500 mm version)

REFERENCES - DROP GATE

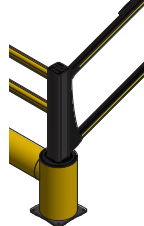
DROP GATE	
SG0600-1000-0001BY	1000mm opening excl.post support included
SG0600-1500-0001BY	1500mm opening excl.post support included
SG0601-1499-0001BY	800mm - 1499mm opening excl.post support included



Gate opening = Distance DROP gate

REFERENCES - DROP GATE - HP POST		
SG0699-0001-BPBL SG0699-0001-BPBLS SG0699-0001-BPBLZ	SG post HP Drop gate - Blank - BL SG post HP Drop gate - Blank - BL - SS SG post HP Drop gate - Blank - BL - ZC	
SG0699-0001-DGC2BL SG0699-0001-DGC2BLS SG0699-0001-DGC2BLZ	SG post HP Drop gate - Cont - 2R - BL SG post HP Drop gate - Cont - 2R - BL - SS SG post HP Drop gate - Cont - 2R - BL - ZC	
SG0699-0001-DGC3BL SG0699-0001-DGC3BLS SG0699-0001-DGC3BLZ	SG post HP Drop gate - Cont - 3R - BL SG post HP Drop gate - Cont - 3R - BL - SS SG post HP Drop gate - Cont - 3R - BL - ZC	
SG0699-0090-DGD2BL SG0699-0090-DGD2BLS SG0699-0090-DGD2BLZ	SG post HP Drop gate - 90° - Down - 2R - BL SG post HP Drop gate - 90° - Down - 2R - BL - SS SG post HP Drop gate - 90° - Down - 2R - BL - ZC	
SG0699-0090-DGD3BL SG0699-0090-DGD3BLS SG0699-0090-DGD3BLZ	SG post HP Drop gate - 90° - Down - 3R - BL SG post HP Drop gate - 90° - Down - 3R - BL - SS SG post HP Drop gate - 90° - Down - 3R - BL - ZC	
SG0699-0090-DGU2BL SG0699-0090-DGU2BLS SG0699-0090-DGU2BLZ	SG post HP Drop gate - 90° - Up - 2R - BL SG post HP Drop gate - 90° - Up - 2R - BL - SS SG post HP Drop gate - 90° - Up - 2R - BL - ZC	
SG0699-0090-DGU3BL SG0699-0090-DGU3BLS SG0699-0090-DGU3BLZ	SG post HP Drop gate - 90° - Up - 3R - BL SG post HP Drop gate - 90° - Up - 3R - BL - SS SG post HP Drop gate - 90° - Up - 3R - BL - ZC	

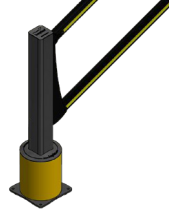
REFERENCES - DROP GATE - TB400 PLUS POST		
SG0799-0001-BPYE SG0799-0001-BPYES SG0799-0001-BPYEZ	SG post TB400 Plus Drop gate - Blank - YE SG post TB400 Plus Drop gate - Blank - YE - SS SG post TB400 Plus Drop gate - Blank - YE - ZC	
SG0799-0001-DGC2YE SG0799-0001-DGC2YES SG0799-0001-DGC2YEZ	SG post TB400 Plus Drop gate - Continu - 2R - YE SG post TB400 Plus Drop gate - Continu - 2R - YE - SS SG post TB400 Plus Drop gate - Continu - 2R - YE - ZC	
SG0799-0090-DGD2YE SG0799-0090-DGD2YES SG0799-0090-DGD2YEZ	SG post TB400 Plus Drop gate - 90° - Down - TB - YE SG post TB400 Plus Drop gate - 90° - Down - TB - YE - SS SG post TB400 Plus Drop gate - 90° - Down - TB - YE - ZC	
SG0799-0090-DGU2YE SG0799-0090-DGU2YES SG0799-0090-DGU2YEZ	SG post TB400 Plus Drop gate - 90° - Up - TB - YE SG post TB400 Plus Drop gate - 90° - Up - TB - YE - SS SG post TB400 Plus Drop gate - 90° - Up - TB - YE - ZC	

REFERENCES - DROP GATE - HP POST - wall mount		
SG0699-0750-WMDGBL	SG post HP Drop gate - Wall mounted - 750mm - BL	

REFERENCES - DROP GATE - TB260 PLUS POST

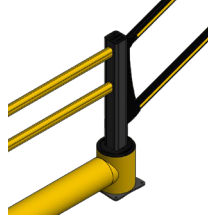
SG0799-0002-BPYE
SG0799-0002-BPYES
SG0799-0002-BPYEZ

SG post TB260 Plus Drop gate - Blank - YE
SG post TB260 Plus Drop gate - Blank - YE - SS
SG post TB260 Plus Drop gate - Blank - YE - ZC



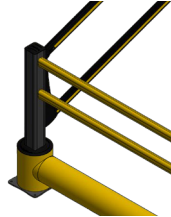
SG0799-0002-DGC2YE
SG0799-0002-DGC2YES
SG0799-0002-DGC2YEZ

SG post TB260 Plus Drop gate - Cont - TB - YE
SG post TB260 Plus Drop gate - Cont - TB - YE - SS
SG post TB260 Plus Drop gate - Cont - TB - YE - ZC



SG0799-0092-DGD2YE
SG0799-0092-DGD2YES
SG0799-0092-DGD2YEZ

SG post TB260 Plus Drop gate - 90° - Down - TB - YE
SG post TB260 Plus Drop gate - 90° - Down - TB - YE - SS
SG post TB260 Plus Drop gate - 90° - Down - TB - YE - ZC



SG0799-0092-DGU2YE
SG0799-0092-DGU2YES
SG0799-0092-DGU2YEZ

SG post TB260 Plus Drop gate - 90° - Up - TB - YE
SG post TB260 Plus Drop gate - 90° - Up - TB - YE - SS
SG post TB260 Plus Drop gate - 90° - Up - TB - YE - ZC

