



KP SERIES BOPLAN COLUMN PROTECTOR SPECIFICATION SHEET

Revision: 30 April 2021 11:45 AM
Boplan reference: KP...

PRODUCT SPECIFICATIONS

APPLICATION

Environment	Air columns for controlled impact absorption. Retain its original shape thanks to its extensive absorbing capacities. Column protectors prevent structural damage to columns, posts & pillars in warehouses, production halls, airports and parking facilities. Stackable on top of each other for higher protection.
Impact performance at 90° (in JOULE)	KP: 2200 Joule (Eq. to 2,5 ton - 4,8 km/h)

MATERIAL

Column protector	Polyethylene - UV resistant - Fire class E ² - Non conductive - Impervious to most chemicals**
Straps	Velcro® ties

STANDARD COLORS

Column protector	Yellow
Straps	Black

FIXATIONS

Velcro straps	2 black straps to hold both halves together
---------------	---

REQUIREMENTS

Environment	Indoor and outdoor use
Working Temperatures	-10°C up to +40°C

*Classification according to EN 13501-1:2007 +A1:2009 - Fire classification of construction products and building elements.
**Ask your local sales office for resistance to specific chemicals.



IMPACT LABEL FOR SAFETY BARRIERS

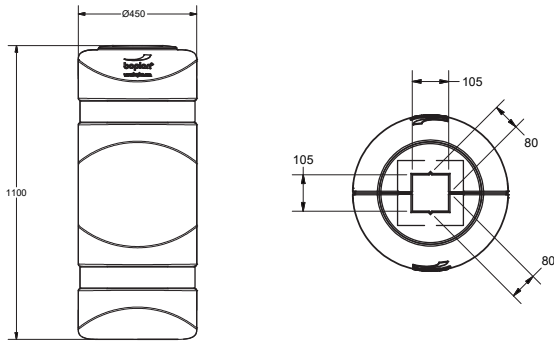
BOPLAN COLUMN PROTECTORS																																																	
IMPACT RATING	90°																																																
<table style="width: 100%; border-collapse: collapse;"> <tr><td style="width: 15px;">E80</td><td style="width: 80px;">▶</td><td style="width: 10px;">▶</td><td>< 80 kJ</td></tr> <tr><td>E60</td><td>▶</td><td>▶</td><td>< 60 kJ</td></tr> <tr><td>E50</td><td>▶</td><td>▶</td><td>< 50 kJ</td></tr> <tr><td>E40</td><td>▶</td><td>▶</td><td>< 40 kJ</td></tr> <tr><td>E35</td><td>▶</td><td>▶</td><td>< 35 kJ</td></tr> <tr><td>E30</td><td>▶</td><td>▶</td><td>< 30 kJ</td></tr> <tr><td>E25</td><td>▶</td><td>▶</td><td>< 25 kJ</td></tr> <tr><td>E20</td><td>▶</td><td>▶</td><td>< 20 kJ</td></tr> <tr><td>E15</td><td>▶</td><td>▶</td><td>< 15 kJ</td></tr> <tr><td>E10</td><td>▶</td><td>▶</td><td>< 10 kJ</td></tr> <tr><td>E5</td><td>▶</td><td>▶</td><td>< 5,0 kJ</td></tr> <tr><td>E2</td><td>▶</td><td>▶</td><td>< 2,5 kJ</td></tr> </table>	E80	▶	▶	< 80 kJ	E60	▶	▶	< 60 kJ	E50	▶	▶	< 50 kJ	E40	▶	▶	< 40 kJ	E35	▶	▶	< 35 kJ	E30	▶	▶	< 30 kJ	E25	▶	▶	< 25 kJ	E20	▶	▶	< 20 kJ	E15	▶	▶	< 15 kJ	E10	▶	▶	< 10 kJ	E5	▶	▶	< 5,0 kJ	E2	▶	▶	< 2,5 kJ	<div style="background-color: yellow; padding: 5px; display: inline-block; border: 1px solid black;">2,2 kJ</div>
E80	▶	▶	< 80 kJ																																														
E60	▶	▶	< 60 kJ																																														
E50	▶	▶	< 50 kJ																																														
E40	▶	▶	< 40 kJ																																														
E35	▶	▶	< 35 kJ																																														
E30	▶	▶	< 30 kJ																																														
E25	▶	▶	< 25 kJ																																														
E20	▶	▶	< 20 kJ																																														
E15	▶	▶	< 15 kJ																																														
E10	▶	▶	< 10 kJ																																														
E5	▶	▶	< 5,0 kJ																																														
E2	▶	▶	< 2,5 kJ																																														
TEST CONDITIONS TEMPERATURE: 20°C IMPACT HEIGHT: 1000 mm IMPACT ANGLE: 90° TEST FLOOR: CONCRETE C25/30 - 160 mm MANUFACTURER ANCHOR PULL OUT: na	TEST VEHICLE WEIGHT: 2300 KG TYPE: COMMERCIAL FORK LIFT SIZE (L x W x h): 1890 x 1020 x 1970 mm CONTACT AREA: STEEL BUMPER WIDTH: 600 mm	BOPLAN TEST LAB Muizelstraat 12 8560 Moorsele Belgium																																															
SUCCESS CRITERIA VEHICLE STOPPED - ASI (ACCELERATION SEVERITY INDEX) < 0.5																																																	



KP100

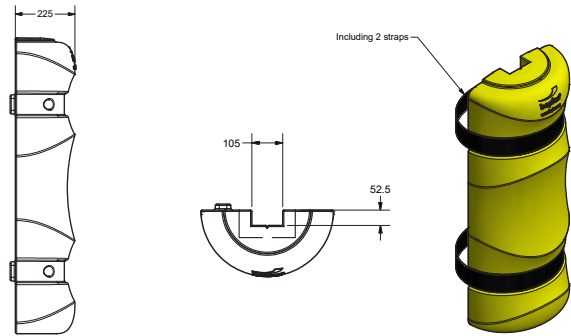
KP1000-1100-S200YE

2 halves (2 straps 1800mm included)



KP1000-1100-S100YE

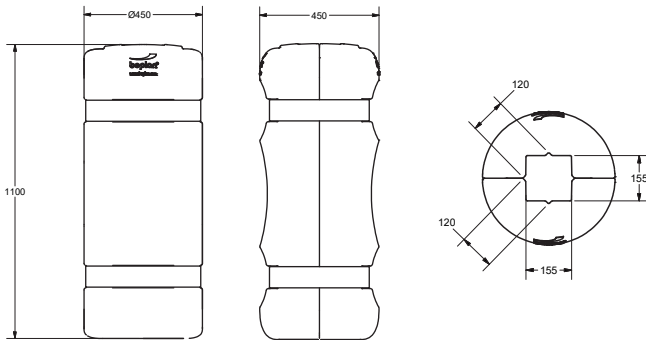
1 halve (2 straps 1800mm included)



KP150

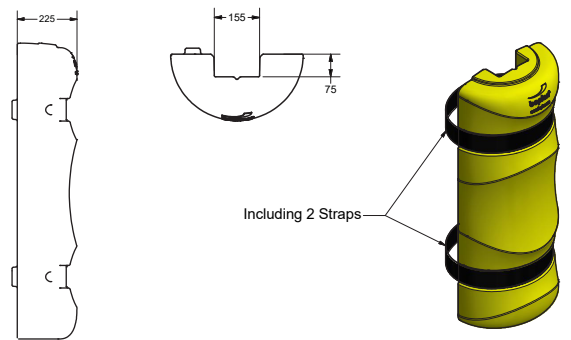
KP1500-1100-S200YE

2 halves (2 straps 1800mm included)



KP1500-1100-S100YE

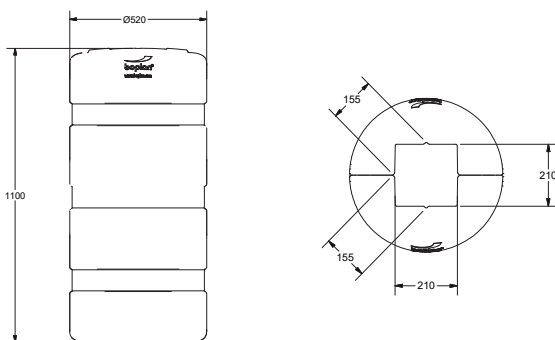
1 halve (2 straps 1800mm included)



KP200

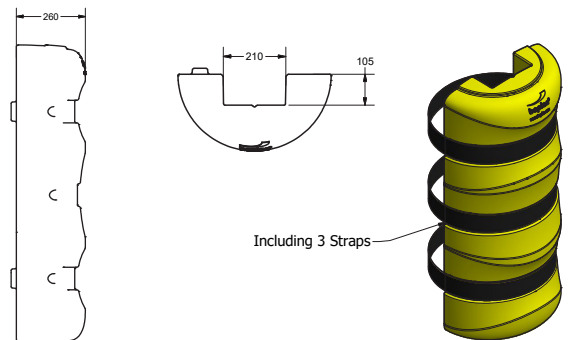
KP2000-1100-S200YE

2 halves (3 straps 2400mm included)



KP2000-1100-S100YE

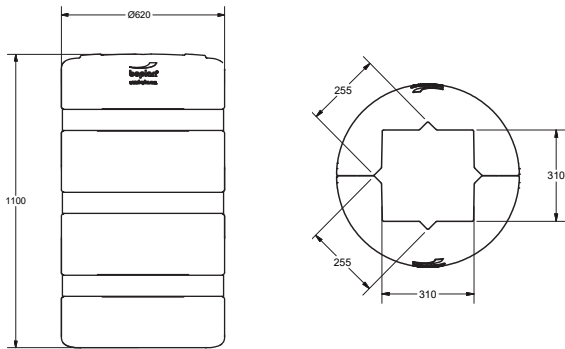
1 halve (3 straps 2400mm included)



KP300

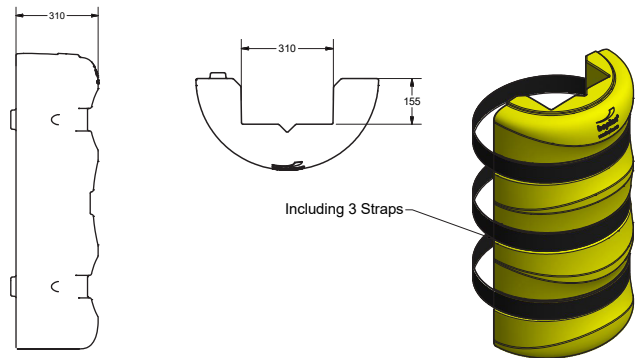
KP3000-1100-S200YE

2 halves (3 straps 2400mm included)



KP3000-1100-S100YE

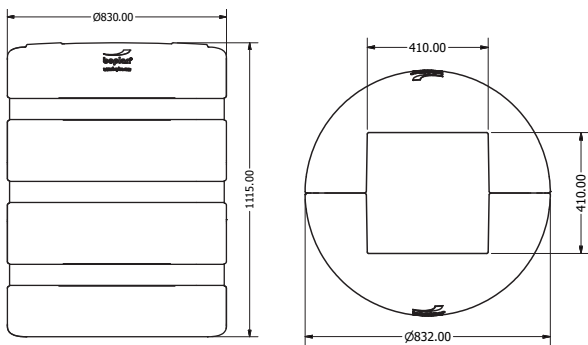
1 halve (3 straps 2400mm included)



KP400

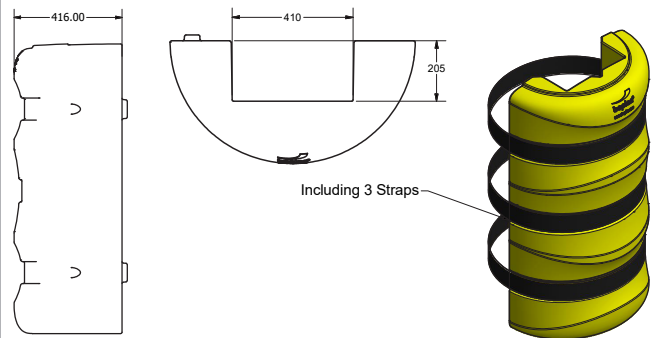
KP4000-1100-S200YE

2 halves (3 straps 3400mm included)



KP4000-1100-S100YE

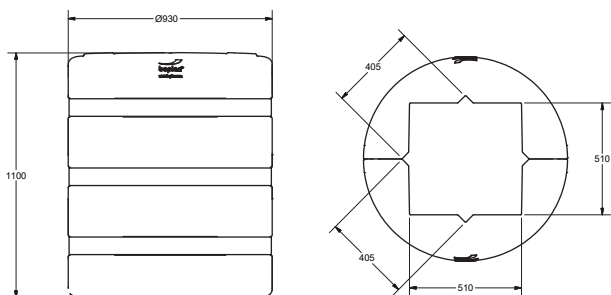
1 halve (3 straps 3400mm included)



KP500

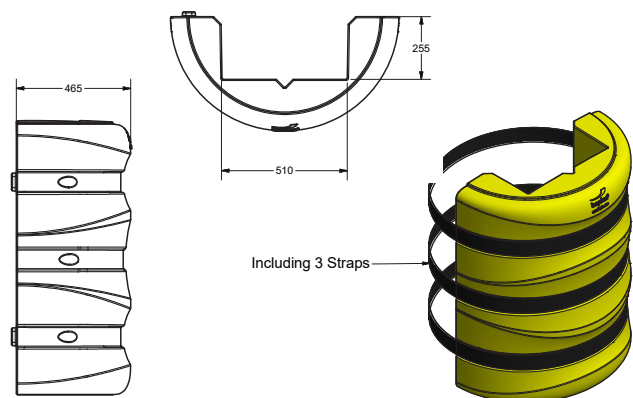
KP5000-1100-S200YE

2 halves (3 straps 3400mm included)



KP5000-1100-S100YE

1 halve (3 straps 3400mm included)



KP600

KP6000-1100-S200YE	KP6000-1100-S100YE
2 halves (3 straps 4000mm included)	1 halve (3 straps 4000mm included)

ACCESSORIES

KP0099-1100-300YE KP0099-1100-600YE	KP0099-8180-S400ZC KP0099-8180-S600ZC	KP0099-1000-1025BL KP0099-1000-1050BL
extension for KP100/150/200/300 - 100 mm - YE - 1 PIECE extension for KP400/500/600 - 100 mm - YE - 1 PIECE	fixation set (4) for KP 100/150/200/300/400 fixation set (6) for KP 500/600	KP Fill up foam - 25mm thick KP Fill up foam - 50mm thick

COLUMN STRAP SETS

KP0099-1800-S200BL	Column strap set (2) - 100/150 - L1800mm - BL	
KP0099-2400-S300BL	Column strap set (3) - 200/300 - L2400mm - BL	
KP0099-3400-S300BL	Column strap set (3) - 400/500 - L3400mm - BL	
KP0099-4000-S300BL	Column strap set (3) - 600 - L4000mm - BL	