



HD LIGHT BOPLAN HANDRAIL LIGHT SPECIFICATION SHEET

Revision: 28 April 2021 11:33 AM
Boplan reference: HD0900- ...



PRODUCT SPECIFICATIONS

APPLICATION			
Protection	Handrail system for the physical demarcation of pedestrian zones. HD Light handrails are not intended for impact with fork lift trucks or other motorized vehicles.		
MATERIAL			
Posts and rails	Polyolefin - UV resistant - Fire class E ⁺ - Non conductive - Impervious to most chemical products**		
Caps	SEBS rubber		
STANDARD COLORS			
End post	Black		
Mid post	Black		
Handrails	Yellow Black/Photolum; Black/Red; Black/yellow; Yellow/black; Yellow/Photolum		
BASEPLATES			
	Steel	Zinc Coated Steel	Stainless steel
Material	Steel 37	Steel 37	SS 304
Coating	Lacquered	Lacquered + electro plating	No lacquer / No coating
Color	High gloss black	Matt black	Natural color

*Classification according to EN 13501-1:2007 +A1:2009 - Fire classification of construction products and building elements.
**Ask your local sales office for resistance to specific chemicals.

FIXATIONS

		ZC (Zinc coated)	SS (Stainless steel)
STANDARD	Wedge anchor	 M12 x 120mm	M12 x 120mm
	Wedge anchor Countersunk	 Not available	Not available
	Anchor rod (Chemical)	 M12 x 120mm + Chemical resin	M12 x 120mm + Chemical resin
ALTERNATIVES	Concrete screw	 Ø12mm x 100mm	Ø10mm x 100mm
	Asphalt anchor	 Bolt M10 x 40mm + Screw Ø16mm	Not available
	Spit anchor	 Bolt M12 x 100mm + Plug Ø20mm	Not available



FEATURES AND FUNCTIONALITY

SIZE

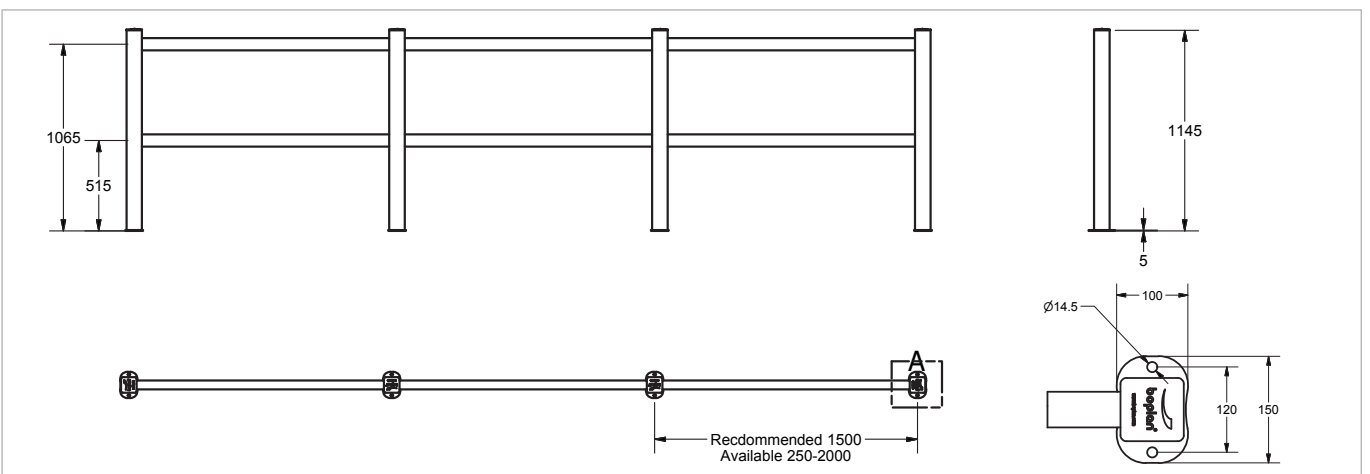
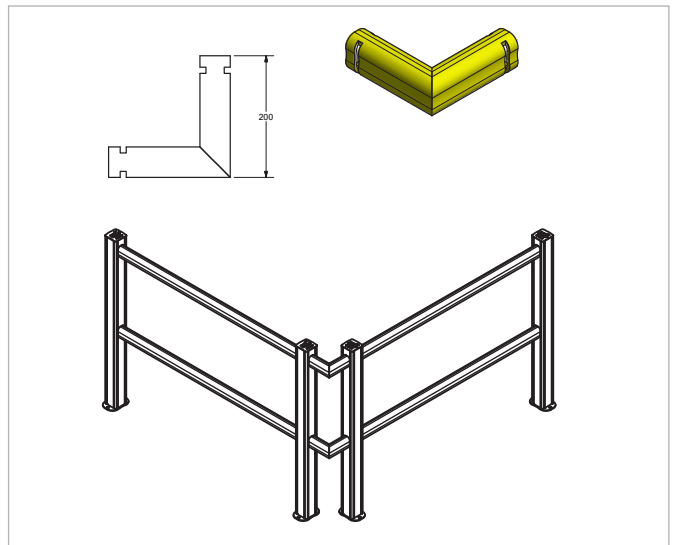
Height end posts	1150 mm
Height mid post	1150 mm
Profile section handrail	50 mm x 70 mm (6 mm wall thickness)
Profile section posts	88 mm x 88 mm (7.5 mm wall thickness)
Standard rail length	Standard length: 1500 mm (center - center dimension)
Baseplate	150 mm x 100 mm (5 mm thick)

COMPLIANCE





The HD LIGHT handrail complies with safety standard EN14122-3 chapter 7 and 8 related to the strength of the rails and posts. Tested and approved by **TUV Nord**.



REQUIREMENTS

Concrete quality	minimum C25/30
Concrete floor plate thickness (mm)	minimum 150 mm
Concrete slab dimension around posts (mm)	400 (h) x 400 (w) x 300 (d)
Operational temperature	-10°C up to +40°C
Water and humidity	Steel (standard): dry indoor use only. Zinc coated: outdoor use in most environments. Stainless Steel: outdoor use or frequent exposure to water and humidity.



REFERENCE LIST - HD LIGHT 2 RAILS

POSTS			
	BLACK	MULTI COLOR 	
End post - 2R End post - 2R - SS End post - 2R - ZC	HD0900-0001-EPBL HD0900-0001-EPBLS HD0900-0001-EPBLZ	HD0900-0001-EPMC HD0900-0001-EPMCS HD0900-0001-EPMCZ	
Mid post - 2R Mid post - 2R - SS Mid post - 2R - ZC	HD0900-0001-MPBL HD0900-0001-MPBLS HD0900-0001-MPBLZ	HD0900-0001-MPMC HD0900-0001-MPMCS HD0900-0001-MPMCZ	
Blank post - 2R Blank post - 2R - SS Blank post - 2R - ZC	HD0900-0001-BPBL HD0900-0001-BPBLS HD0900-0001-BPBLZ	HD0900-0001-BPMC HD0900-0001-BPMCS HD0900-0001-BPMCZ	

POSTS - 90° TURNED BASEPLATE		
	BLACK	
End post - 2R End post - 2R - SS End post - 2R - Zinc coated	HD0900-0001-EP90BL HD0900-0001-EP90BLS HD0900-0001-EP90BLZ	
Mid post - 2R Mid post - 2R - SS Mid post - 2R - Zinc coated	HD0900-0001-MP90BL HD0900-0001-MP90BLS HD0900-0001-MP90BLZ	

RAIL SETS (2R)						
Center - Center length	BLACK / PHOTOLUM	BLACK / RED	BLACK / YELLOW	YELLOW / BLACK	YELLOW	YELLOW / PHOTOLUM
500 mm	HD0900-0500-0001BP	HD0900-0500-0001BR	HD0900-0500-0001BY	HD0900-0500-0001YB	HD0900-0500-0001YE	HD0900-0500-0001YP
750 mm	HD0900-0750-0001BP	HD0900-0750-0001BR	HD0900-0750-0001BY	HD0900-0750-0001YB	HD0900-0750-0001YE	HD0900-0750-0001YP
1000 mm	HD0900-1000-0001BP	HD0900-1000-0001BR	HD0900-1000-0001BY	HD0900-1000-0001YB	HD0900-1000-0001YE	HD0900-1000-0001YP
1250 mm	HD0900-1250-0001BP	HD0900-1250-0001BR	HD0900-1250-0001BY	HD0900-1250-0001YB	HD0900-1250-0001YE	HD0900-1250-0001YP
1500 mm	HD0900-1500-0001BP	HD0900-1500-0001BR	HD0900-1500-0001BY	HD0900-1500-0001YB	HD0900-1500-0001YE	HD0900-1500-0001YP
1750 mm	HD0900-1750-0001BP	HD0900-1750-0001BR	HD0900-1750-0001BY	HD0900-1750-0001YB	HD0900-1750-0001YE	HD0900-1750-0001YP
2000 mm	HD0900-2000-0001BP	HD0900-2000-0001BR	HD0900-2000-0001BY	HD0900-2000-0001YB	HD0900-2000-0001YE	HD0900-2000-0001YP
250-2000 mm	HD0901-2000-0001BP	HD0901-2000-0001BR	HD0901-2000-0001BY	HD0901-2000-0001YB	HD0901-2000-0001YE	HD0901-2000-0001YP
CORNER RAIL SETS (2R)						
Corner rail set 90°	HD0900-0200-C90BP	HD0900-0200-C90BR	HD0900-0200-C90BY	HD0900-0200-C90YB	HD0900-0200-C90YE	HD0900-0200-C90YP
Corner rail set 135°	HD0900-0200-C45BP	HD0900-0200-C45BR	HD0900-0200-C45BY	HD0900-0200-C45YB	HD0900-0200-C45YE	HD0900-0200-C45YP



