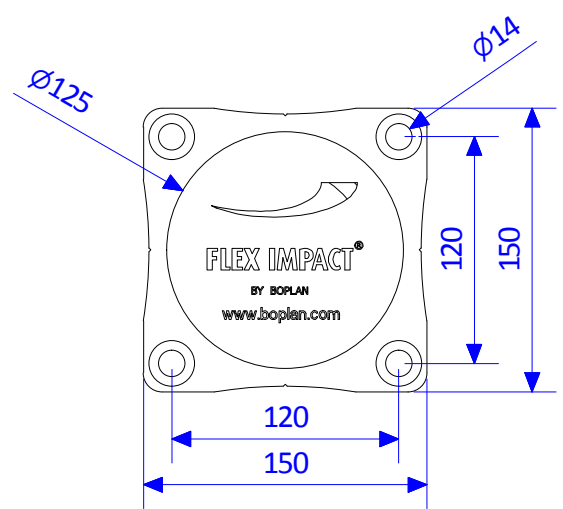
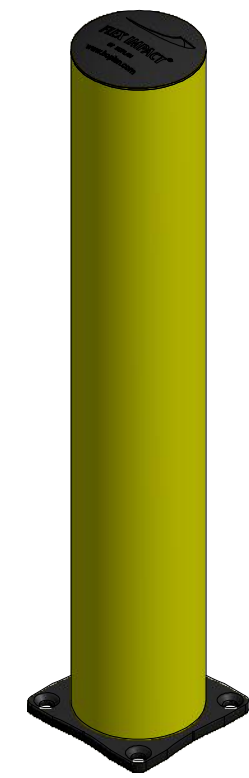
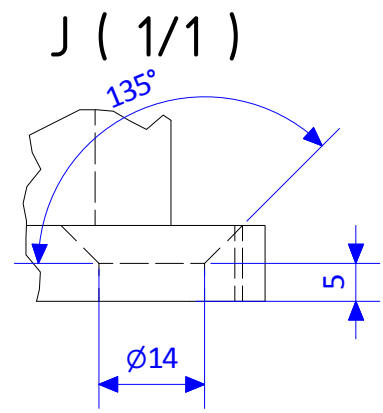
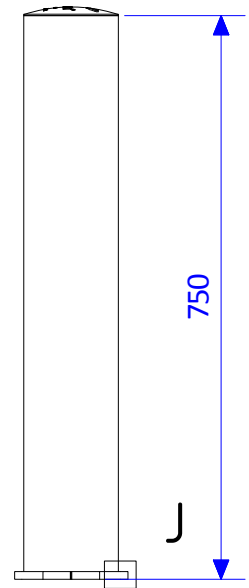


AVAILABLE IN :

Black



Grey



	BO Light - 125x750mm							
	SHEET	A4	SCALE		DESIGNER	DD	10/03/2011	
	HOOFDGROEP :	IM		WEIGHT :	PROJECT			
	SUBGROEP :	BO		MATERIAL :			1/4	
	TOLERANCE	LINEAR (UNLESS NOTED)	+/- 0.1	ANGULAR (UNLESS NOTED)	+/- 1°	RADIUS (UNLESS NOTED)	0,5	
MUIZELSTRAAT 12 B-8560 WEVELGEM WWW.BOPLAN.COM					THIS DOCUMENT IS THE PROPERTY OF BOPLAN. USE IS AUTHORIZED ONLY FOR RESPONDING TO A REQUEST FOR QUOTATION OR FOR THE PERFORMANCE OF WORK FOR BOPLAN.			
								REF. : BO1006/0103