



BO IMPACT BOPLAN BOLLARD IMPACT SPECIFICATION SHEET

Revision: 10 August 2021 4:04 PM
Boplan reference: B02...








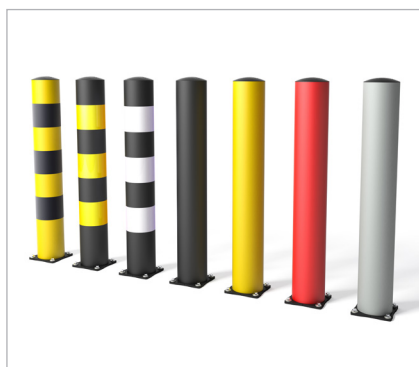
PRODUCT SPECIFICATIONS

APPLICATION			
Environment	Areas with frequent impact risks occurs Eg: in the vicinity of gates, access ways, corners and machines. A bollard can be used free standing or as an end post in a traffic barrier system.		
Impact performance at 90° (in JOULE)	POST: 3200 Joule (Eq. to 2,5 ton - 5,7 km/h)		
MATERIAL			
Posts	Polyolefin - UV resistant - Fire class E ⁺ - Non conductive - Impervious to most chemicals**		
Caps	SEBS rubber		
COLORS			
	Standard: Yellow Also available in black, grey and red (multicolor) Also available with stripes		
BASEPLATES			
	Zinc Coated Steel Non - countersunk	Zinc Coated Steel COUNTERSUNK	Stainless steel Non - countersunk
Material	Steel 37	Steel 37	SS 304
Coating	Lacquered + electro plating	Lacquered + electro plating	No lacquer / No coating
Color	Matt black	Matt black	Natural color

*Classification according to EN 13501-1:2007 +A1:2009 - Fire classification of construction products and building elements.

**Ask your local sales office for resistance to specific chemicals.

FIXATIONS			
		ZC (Zinc coated)	SS (Stainless steel)
STANDARD	Wedge anchor	 Ø20mm (M12) x 120mm	Ø20mm (M12) x 120mm
	Countersunk anchor	 Ø20mm (M12) x 120mm	Ø20mm (M12) x 130mm
ALTERNATIVES	Anchor rod (Chemical)	 M16 x 120mm + Chemical resin	M16 x 120mm + Chemical resin
	Concrete screw	 Ø17mm x 135mm	Not available
	Asphalt anchor	 Bolt M16 x 100mm + Screw Ø22mm	Not available



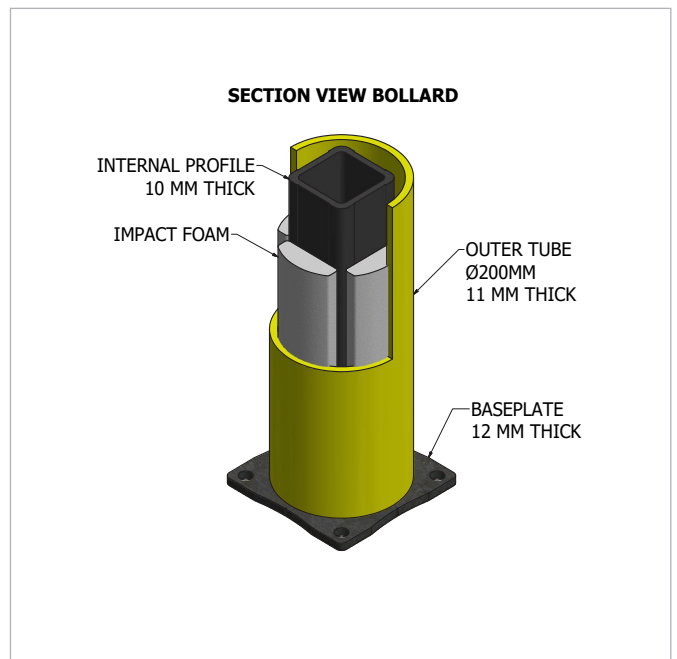
FEATURES AND FUNCTIONALITY

SIZE	
Height	450 mm 750 mm 1000 mm 1200 mm 250mm - 2500mm
Profile section post	Outer tube: Ø200 mm (11 mm thick) Inner profile: 112 mm x 112 mm (10 mm thick) Impact foam (between Outer tube and Inner profile)
Profile section rails (if used)	Rail 88 mm x 88 mm (7.5 mm thick)
	Rail 50 mm x 70 mm (6.0 mm thick)
Baseplate	230 mm x 230 mm (12 mm thick)

REQUIREMENTS	
Concrete quality	minimum C25/30
Concrete floor plate thickness (mm)	minimum 150 mm
Concrete slab dimension around posts (mm)	400 (h) x 400 (w) x 300 (d)
Operational temperature	-10°C up to +40°C
Water and humidity	Zinc coated: Indoor and outdoor use in most environments.* Stainless Steel: outdoor use or frequent exposure to water and humidity.




*Bollard with integrated Belt Barrier - Indoor use only

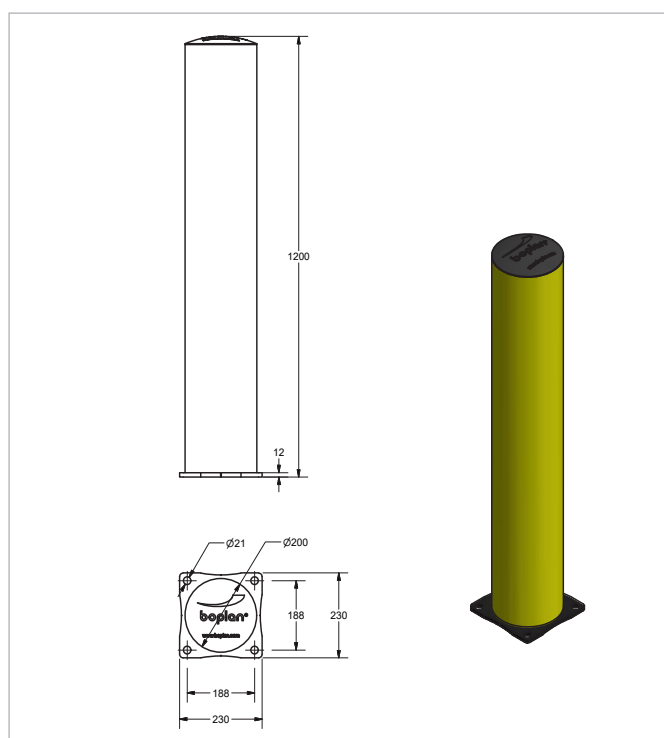
IMPACT LABEL FOR SAFETY BARRIERS		
BOPLAN B0 IMPACT		
IMPACT RATING	45°	90° PAS 13:2017 compliant
E80 < 80 kJ		
E60 < 60 kJ		
E50 < 50 kJ		
E40 < 40 kJ		
E35 < 35 kJ		
E30 < 30 kJ		
E25 < 25 kJ		
E20 < 20 kJ		
E15 < 15 kJ		
E10 < 10 kJ		
E5 < 5,0 kJ	4,5 kJ	3,2 kJ
E2 < 2,5 kJ		
TEST CONDITIONS TEMPERATURE: 20°C IMPACT HEIGHT: 1000 mm IMPACT ANGLE: 90° TEST FLOOR: CONCRETE C25/30 - 160 mm MANUFACTURER ANCHOR PULL OUT: 17 kN	TEST VEHICLE WEIGHT: 2300 KG TYPE: COMMERCIAL FORK LIFT SIZE (L x W x h): 1890 x 1020 x 1970 mm CONTACT AREA: STEEL BUMPER WIDTH: 600 mm	ACCREDITED TEST LABORATORY 620 Route des Fromentaux 01500 Saint-Maurice-de-Rémens 01360 Beligneux France
SUCCESS CRITERIA VEHICLE STOPPED - ASI (ACCELERATION SEVERITY INDEX) < 0.5		



REFERENCE LIST - BOLLARD IMPACT

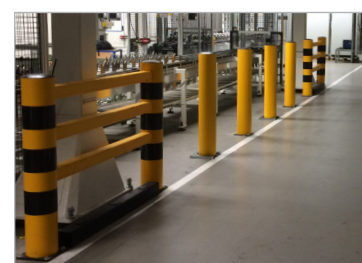
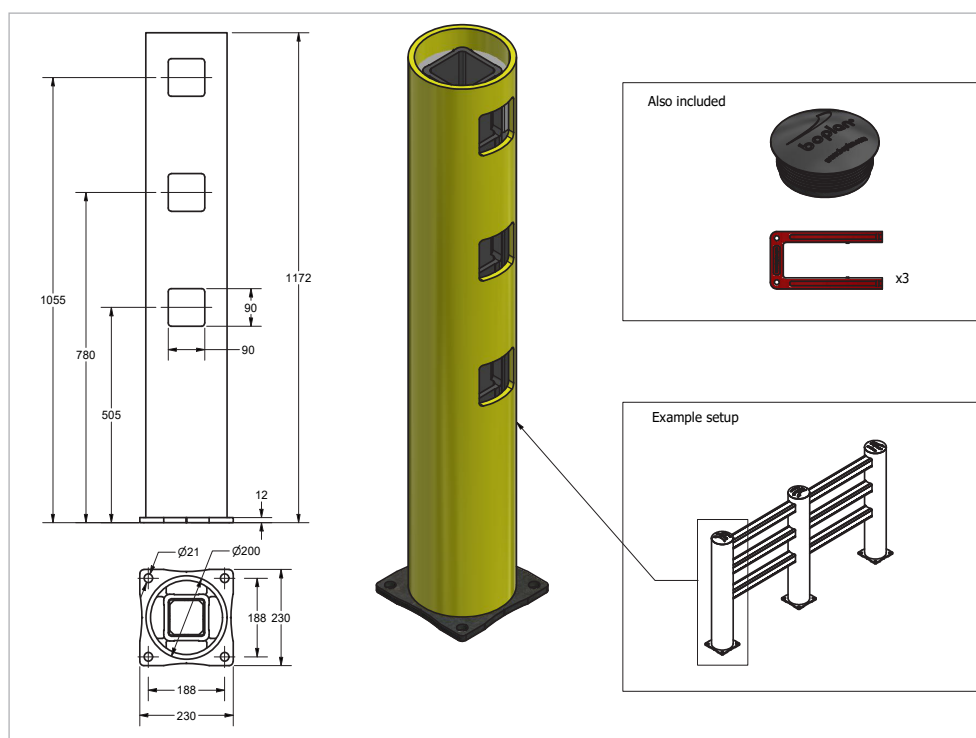
FREE STANDING BOLLARD

	ZINC COATED (ZC) Non - countersunk		ZINC COATED (ZC) COUNTERSUNK		STAINLESS STEEL (SS) Non - countersunk	
	YELLOW	MULTICOLOR 	YELLOW	MULTICOLOR 	YELLOW	MULTICOLOR 
450 mm	BO2000-0450-0001YEZ	BO2000-0450-0001MCZ	BO2000-0450-0001YEC	BO2000-0450-0001MCC	BO2000-0450-0001YES	BO2000-0450-0001MCS
600 mm	BO2000-0600-0001YEZ	BO2000-0600-0001MCZ	BO2000-0600-0001YEC	BO2000-0600-0001MCC	BO2000-0600-0001YES	BO2000-0600-0001MCS
750 mm	BO2000-0750-0001YEZ	BO2000-0750-0001MCZ	BO2000-0750-0001YEC	BO2000-0750-0001MCC	BO2000-0750-0001YES	BO2000-0750-0001MCS
1000 mm	BO2000-1000-0001YEZ	BO2000-1000-0001MCZ	BO2000-1000-0001YEC	BO2000-1000-0001MCC	BO2000-1000-0001YES	BO2000-1000-0001MCS
1200 mm	<u>BO2000-1200-0001YEZ</u>	BO2000-1200-0001MCZ	BO2000-1200-0001YEC	BO2000-1200-0001MCC	BO2000-1200-0001YES	BO2000-1200-0001MCS
250 - 1200 mm	BO2001-1200-0001YEZ	BO2001-1200-0001MCZ	BO2001-1200-0001YEC	BO2001-1200-0001MCC	BO2001-1200-0001YES	BO2001-1200-0001MCS
1201 - 1525 mm	BO2001-1525-0001YEZ	BO2001-1525-0001MCZ	BO2001-1525-0001YEC	BO2001-1525-0001MCC	BO2001-1525-0001YES	BO2001-1525-0001MCS
1600 - 2000 mm	BO2001-2000-0001YEZ	BO2001-2000-0001MCZ	BO2001-2000-0001YEC	BO2001-2000-0001MCC	BO2001-2000-0001YES	BO2001-2000-0001MCS
2100 - 2500 mm	BO2001-2500-0001YEZ	BO2001-2500-0001MCZ	BO2001-2500-0001YEC	BO2001-2500-0001MCC	BO2001-2500-0001YES	BO2001-2500-0001MCS

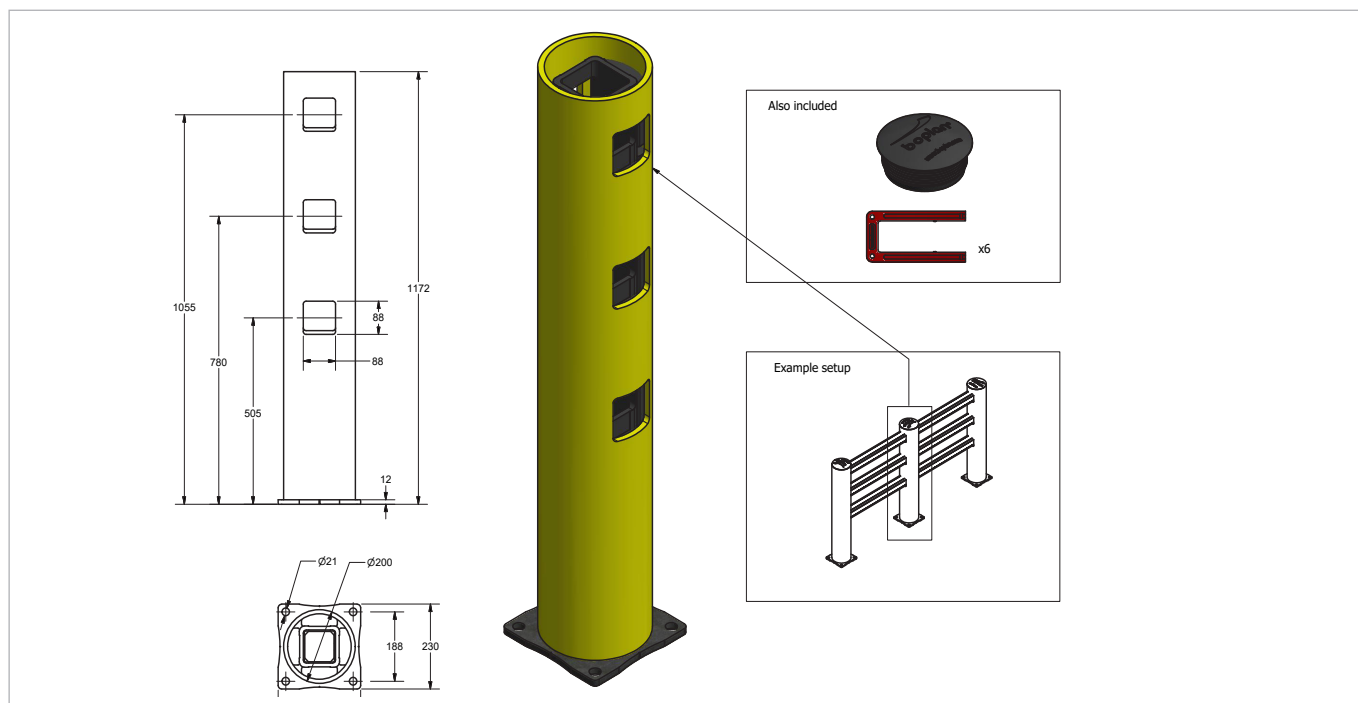




BOLLARD ENDPOST (EP) - with rails 88							
	ZINC COATED (ZC) Non - countersunk		ZINC COATED (ZC) COUNTERSUNK		STAINLESS STEEL (SS) Non - countersunk		
	YELLOW	MULTICOLOR ■ □	YELLOW	MULTICOLOR ■ □	YELLOW	MULTICOLOR ■ □	
2R	1200 mm	BO2000-1200-E208YEZ	BO2000-1200-E208MCZ	BO2000-1200-E208YEC	BO2000-1200-E208MCC	BO2000-1200-E208YES	BO2000-1200-E208MCS
	1201 - 1525 mm	BO2001-1500-E208YEZ	BO2001-1525-E208MCZ	BO2001-1500-E208YEC	BO2001-1525-E208MCC	BO2001-1500-E208YES	BO2001-1525-E208MCS
	1600 - 2000 mm	BO2001-2000-E208YEZ	BO2001-2000-E208MCZ	BO2001-2000-E208YEC	BO2001-2000-E208MCC	BO2001-2000-E208YES	BO2001-2000-E208MCS
	2100 - 2500 mm	BO2001-2500-E208YEZ	BO2001-2500-E208MCZ	BO2001-2500-E208YEC	BO2001-2500-E208MCC	BO2001-2500-E208YES	BO2001-2500-E208MCS
3R	1200 mm	BO2000-1200-E308YEZ	BO2000-1200-E308MCZ	BO2000-1200-E308YEC	BO2000-1200-E308MCC	BO2000-1200-E308YES	BO2000-1200-E308MCS
	1201 - 1525 mm	BO2001-1500-E308YEZ	BO2001-1525-E308MCZ	BO2001-1500-E308YEC	BO2001-1525-E308MCC	BO2001-1500-E308YES	BO2001-1525-E308MCS
	1600 - 2000 mm	BO2001-2000-E308YEZ	BO2001-2000-E308MCZ	BO2001-2000-E308YEC	BO2001-2000-E308MCC	BO2001-2000-E308YES	BO2001-2000-E308MCS
	2100 - 2500 mm	BO2001-2500-E308YEZ	BO2001-2500-E308MCZ	BO2001-2500-E308YEC	BO2001-2500-E308MCC	BO2001-2500-E308YES	BO2001-2500-E308MCS

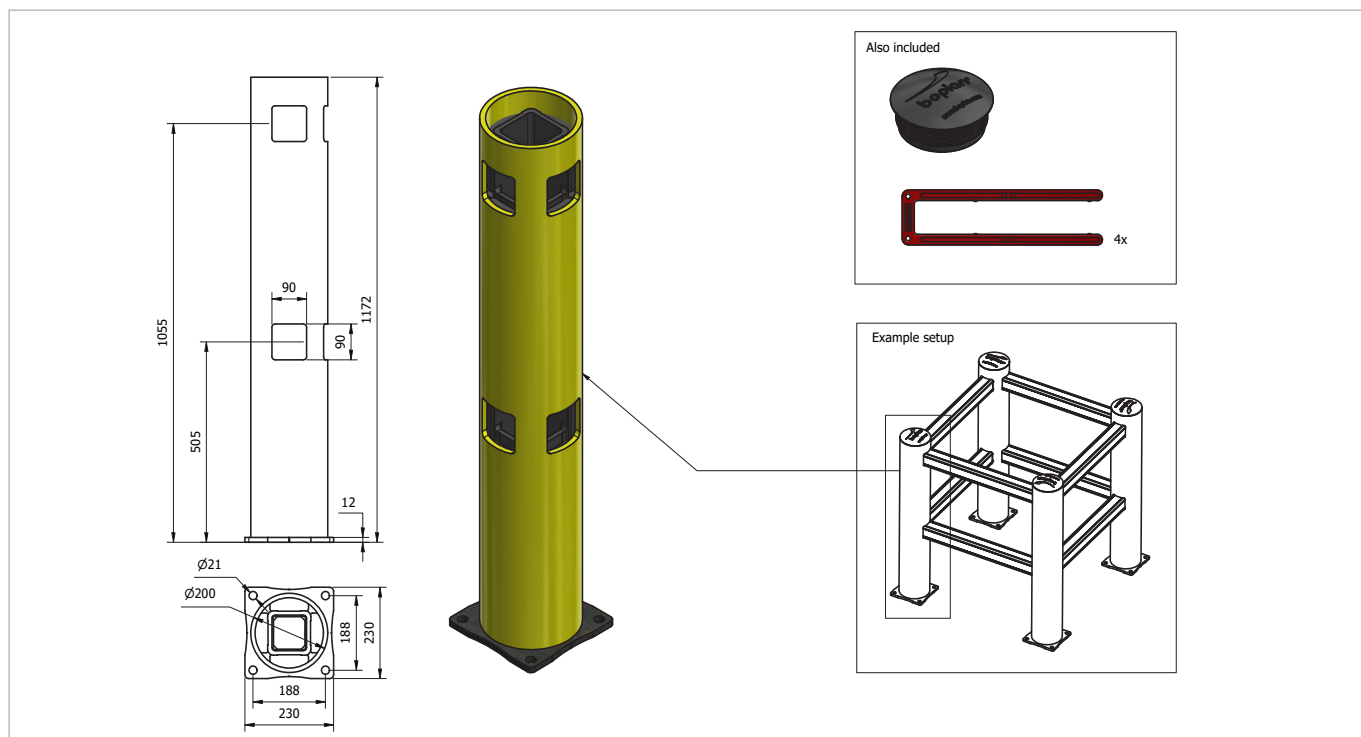


BOLLARD MIDPOST (MP) - with rails 88							
	ZINC COATED (ZC) Non - countersunk		ZINC COATED (ZC) COUNTERSUNK		STAINLESS STEEL (SS) Non - countersunk		
	YELLOW	MULTICOLOR ■ □	YELLOW	MULTICOLOR ■ □	YELLOW	MULTICOLOR ■ □	
2R	1200 mm	BO2000-1200-M208YEZ	BO2000-1200-M208MCZ	BO2000-1200-M208YEC	BO2000-1200-M208MCC	BO2000-1200-M208YES	BO2000-1200-M208MCS
	1201 - 1525 mm	BO2001-1500-M208YEZ	BO2001-1525-M208MCZ	BO2001-1500-M208YEC	BO2001-1525-M208MCC	BO2001-1500-M208YES	BO2001-1525-M208MCS
	1600 - 2000 mm	BO2001-2000-M208YEZ	BO2001-2000-M208MCZ	BO2001-2000-M208YEC	BO2001-2000-M208MCC	BO2001-2000-M208YES	BO2001-2000-M208MCS
	2100 - 2500 mm	BO2001-2500-M208YEZ	BO2001-2500-M208MCZ	BO2001-2500-M208YEC	BO2001-2500-M208MCC	BO2001-2500-M208YES	BO2001-2500-M208MCS
3R	1200 mm	BO2000-1200-M308YEZ	BO2000-1200-M308MCZ	BO2000-1200-M308YEC	BO2000-1200-M308MCC	BO2000-1200-M308YES	BO2000-1200-M308MCS
	1201 - 1525 mm	BO2001-1500-M308YEZ	BO2001-1525-M308MCZ	BO2001-1500-M308YEC	BO2001-1525-M308MCC	BO2001-1500-M308YES	BO2001-1525-M308MCS
	1600 - 2000 mm	BO2001-2000-M308YEZ	BO2001-2000-M308MCZ	BO2001-2000-M308YEC	BO2001-2000-M308MCC	BO2001-2000-M308YES	BO2001-2000-M308MCS
	2100 - 2500 mm	BO2001-2500-M308YEZ	BO2001-2500-M308MCZ	BO2001-2500-M308YEC	BO2001-2500-M308MCC	BO2001-2500-M308YES	BO2001-2500-M308MCS



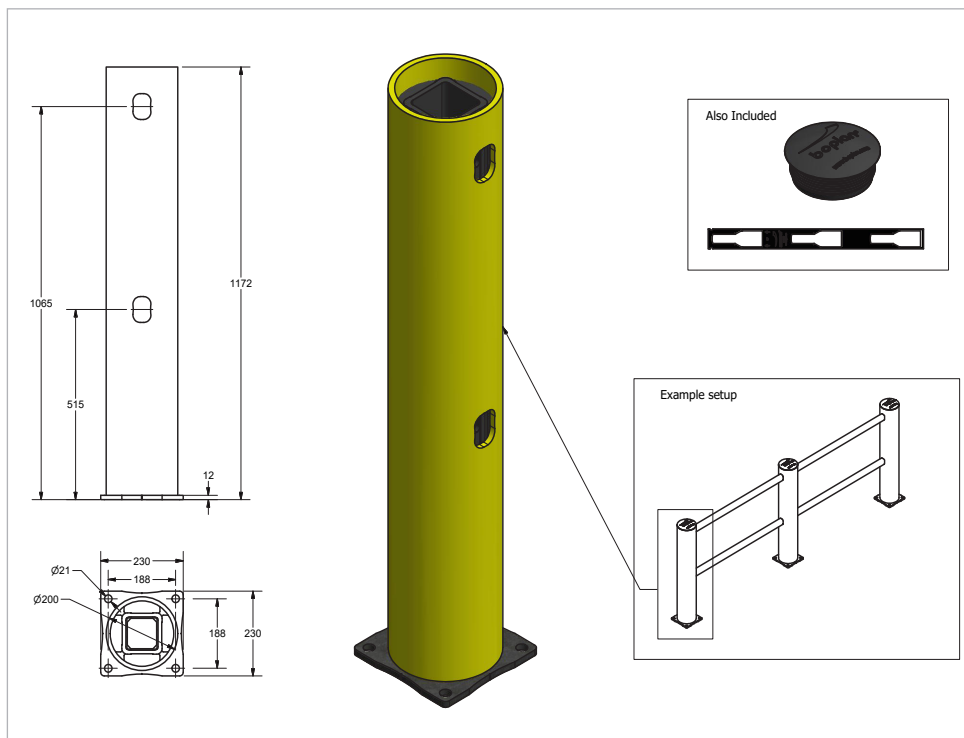
BOLLARD CORNER POST 90° (CP) - with rails 88

	ZINC COATED (ZC) Non - countersunk		ZINC COATED (ZC) COUNTERSUNK		STAINLESS STEEL (SS) Non - countersunk		
	YELLOW	MULTICOLOR ■ □	YELLOW	MULTICOLOR ■ □	YELLOW	MULTICOLOR ■ □	
2R	1200 mm	B02000-1200-C298YEZ	B02000-1200-C298M CZ	B02000-1200-C298YEC	B02000-1200-C298M CC	B02000-1200-C298YES	B02000-1200-C298M CS
	1201 - 1525 mm	B02001-1500-C298YEZ	B02001-1525-C298M CZ	B02001-1500-C298YEC	B02001-1525-C298M CC	B02001-1500-C298YES	B02001-1525-C298M CS
	1600 - 2000 mm	B02001-2000-C298YEZ	B02001-2000-C298M CZ	B02001-2000-C298YEC	B02001-2000-C298M CC	B02001-2000-C298YES	B02001-2000-C298M CS
	2100 - 2500 mm	B02001-2500-C298YEZ	B02001-2500-C298M CZ	B02001-2500-C298YEC	B02001-2500-C298M CC	B02001-2500-C298YES	B02001-2500-C298M CS
3R	1200 mm	B02000-1200-C398YEZ	B02000-1200-C398M CZ	B02000-1200-C398YEC	B02000-1200-C398M CC	B02000-1200-C398YES	B02000-1200-C398M CS
	1201 - 1525 mm	B02001-1500-C398YEZ	B02001-1525-C398M CZ	B02001-1500-C398YEC	B02001-1525-C398M CC	B02001-1500-C398YES	B02001-1525-C398M CS
	1600 - 2000 mm	B02001-2000-C398YEZ	B02001-2000-C398M CZ	B02001-2000-C398YEC	B02001-2000-C398M CC	B02001-2000-C398YES	B02001-2000-C398M CS
	2100 - 2500 mm	B02001-2500-C398YEZ	B02001-2500-C398M CZ	B02001-2500-C398YEC	B02001-2500-C398M CC	B02001-2500-C398YES	B02001-2500-C398M CS



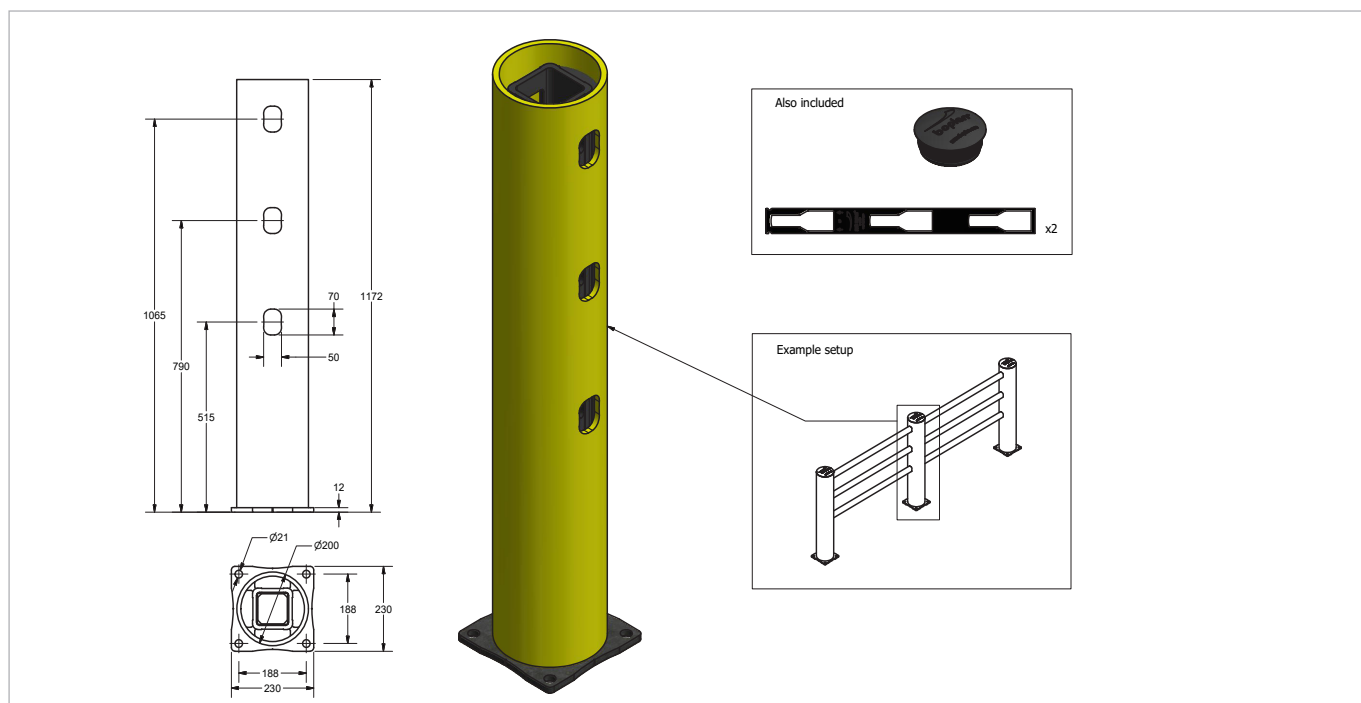
BOLLARD ENDPOST (EP) - with handrails R50

		ZINC COATED (ZC) Non - countersunk		ZINC COATED (ZC) COUNTERSUNK		STAINLESS STEEL (SS) Non - countersunk		
		YELLOW	MULTICOLOR ■ □	YELLOW	MULTICOLOR ■ □	YELLOW	MULTICOLOR ■ □	
HP	2R	1200 mm	BO2000-1200-E205HYEZ	BO2000-1200-E205HMCZ	BO2000-1200-E205HYEC	BO2000-1200-E205HMCC	BO2000-1200-E205HYES	BO2000-1200-E205HMCS
		1201 - 1525 mm	BO2001-1525-E205HYEZ	BO2001-1525-E205HMCZ	BO2001-1525-E205HYEC	BO2001-1525-E205HMCC	BO2001-1525-E205HYES	BO2001-1525-E205HMCS
		1600 - 2000 mm	BO2001-2000-E205HYEZ	BO2001-2000-E205HMCZ	BO2001-2000-E205HYEC	BO2001-2000-E205HMCC	BO2001-2000-E205HYES	BO2001-2000-E205HMCS
		2100 - 2500 mm	BO2001-2500-E205HYEZ	BO2001-2500-E205HMCZ	BO2001-2500-E205HYEC	BO2001-2500-E205HMCC	BO2001-2500-E205HYES	BO2001-2500-E205HMCS
3R		1200 mm	BO2000-1200-E305YEZ	BO2000-1200-E305MCZ	BO2000-1200-E305YEC	BO2000-1200-E305MCC	BO2000-1200-E305YES	BO2000-1200-E305MCS
		1201 - 1525 mm	BO2001-1500-E305YEZ	BO2001-1525-E305MCZ	BO2001-1500-E305YEC	BO2001-1525-E305MCC	BO2001-1500-E305YES	BO2001-1525-E305MCS
		1600 - 2000 mm	BO2001-2000-E305YEZ	BO2001-2000-E305MCZ	BO2001-2000-E305YEC	BO2001-2000-E305MCC	BO2001-2000-E305YES	BO2001-2000-E305MCS
		2100 - 2500 mm	BO2001-2500-E305YEZ	BO2001-2500-E305MCZ	BO2001-2500-E305YEC	BO2001-2500-E305MCC	BO2001-2500-E305YES	BO2001-2500-E305MCS
TB	2R	1200 mm	BO2000-1200-E205TYEZ	BO2000-1200-E205TMCZ	BO2000-1200-E205TYEC	BO2000-1200-E205TMCC	BO2000-1200-E205TYES	BO2000-1200-E205TMCS
		1201 - 1525 mm	BO2001-1500-E205TYEZ	BO2001-1500-E205TMCZ	BO2001-1500-E205TYEC	BO2001-1500-E205TMCC	BO2001-1500-E205TYES	BO2001-1500-E205TMCS
		1600 - 2000 mm	BO2001-2000-E205TYEZ	BO2001-2000-E205TMCZ	BO2001-2000-E205TYEC	BO2001-2000-E205TMCC	BO2001-2000-E205TYES	BO2001-2000-E205TMCS
		2100 - 2500 mm	BO2001-2500-E205TYEZ	BO2001-2500-E205TMCZ	BO2001-2500-E205TYEC	BO2001-2500-E205TMCC	BO2001-2500-E205TYES	BO2001-2500-E205TMCS



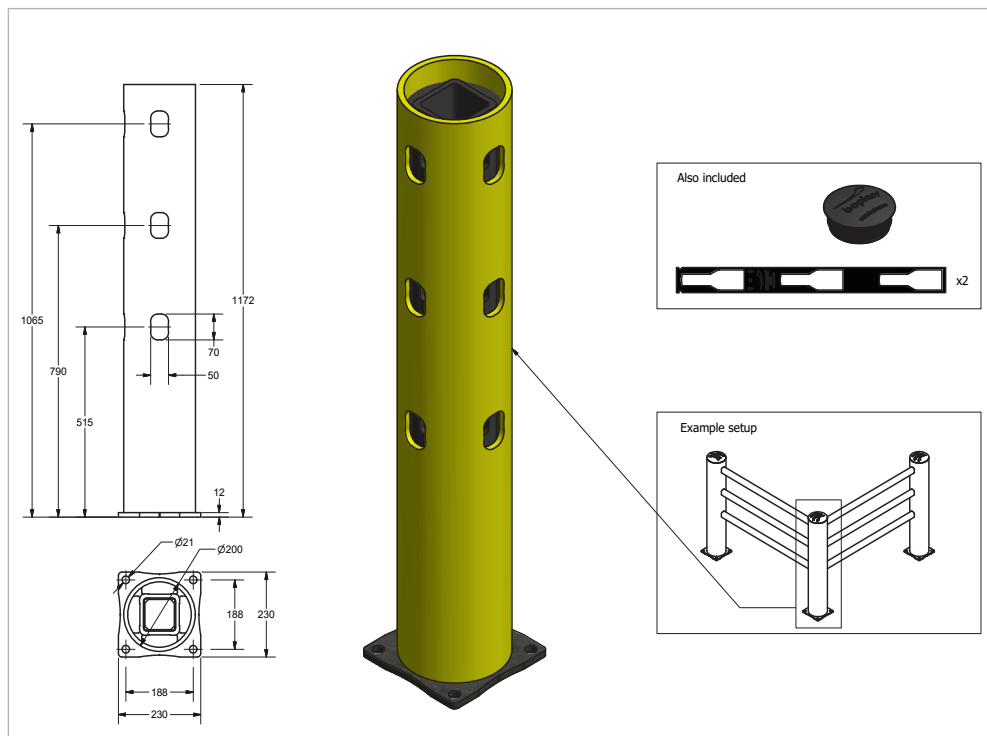
BOLLARD MIDPOST (MP) - with handrails R50

		ZINC COATED (ZC) Non - countersunk		ZINC COATED (ZC) COUNTERSUNK		STAINLESS STEEL (SS) Non - countersunk		
		YELLOW	MULTICOLOR ■■	YELLOW	MULTICOLOR ■■	YELLOW	MULTICOLOR ■■	
HP	2R	1200 mm	BO2000-1200-M205HYEZ	BO2000-1200-M205HMCZ	BO2000-1200-M205HYEC	BO2000-1200-M205HMCC	BO2000-1200-M205HYES	BO2000-1200-M205HMCS
		1201 - 1525 mm	BO2001-1525-M205HYEZ	BO2001-1525-M205HMCZ	BO2001-1525-M205HYEC	BO2001-1525-M205HMCC	BO2001-1525-M205HYES	BO2001-1525-M205HMCS
		1600 - 2000 mm	BO2001-2000-M205HYEZ	BO2001-2000-M205HMCZ	BO2001-2000-M205HYEC	BO2001-2000-M205HMCC	BO2001-2000-M205HYES	BO2001-2000-M205HMCS
		2100 - 2500 mm	BO2001-2500-M205HYEZ	BO2001-2500-M205HMCZ	BO2001-2500-M205HYEC	BO2001-2500-M205HMCC	BO2001-2500-M205HYES	BO2001-2500-M205HMCS
3R		1200 mm	BO2000-1200-M305YEZ	BO2000-1200-M305MCZ	BO2000-1200-M305YEC	BO2000-1200-M305MCC	BO2000-1200-M305YES	BO2000-1200-M305MCS
		1201 - 1525 mm	BO2001-1500-M305YEZ	BO2001-1525-M305MCZ	BO2001-1500-M305YEC	BO2001-1525-M305MCC	BO2001-1500-M305YES	BO2001-1525-M305MCS
		1600 - 2000 mm	BO2001-2000-M305YEZ	BO2001-2000-M305MCZ	BO2001-2000-M305YEC	BO2001-2000-M305MCC	BO2001-2000-M305YES	BO2001-2000-M305MCS
		2100 - 2500 mm	BO2001-2500-M305YEZ	BO2001-2500-M305MCZ	BO2001-2500-M305YEC	BO2001-2500-M305MCC	BO2001-2500-M305YES	BO2001-2500-M305MCS
TB	2R	1200 mm	BO2000-1200-M205TYEZ	BO2000-1200-M205TMCZ	BO2000-1200-M205TYEC	BO2000-1200-M205TMCC	BO2000-1200-M205TYES	BO2000-1200-M205TMCS
		1201 - 1525 mm	BO2001-1500-M205TYEZ	BO2001-1500-M205TMCZ	BO2001-1500-M205TYEC	BO2001-1500-M205TMCC	BO2001-1500-M205TYES	BO2001-1500-M205TMCS
		1600 - 2000 mm	BO2001-2000-M205TYEZ	BO2001-2000-M205TMCZ	BO2001-2000-M205TYEC	BO2001-2000-M205TMCC	BO2001-2000-M205TYES	BO2001-2000-M205TMCS
		2100 - 2500 mm	BO2001-2500-M205TYEZ	BO2001-2500-M205TMCZ	BO2001-2500-M205TYEC	BO2001-2500-M205TMCC	BO2001-2500-M205TYES	BO2001-2500-M205TMCS



BOLLARD CORNER POST 90° (CP) - with handrails R50

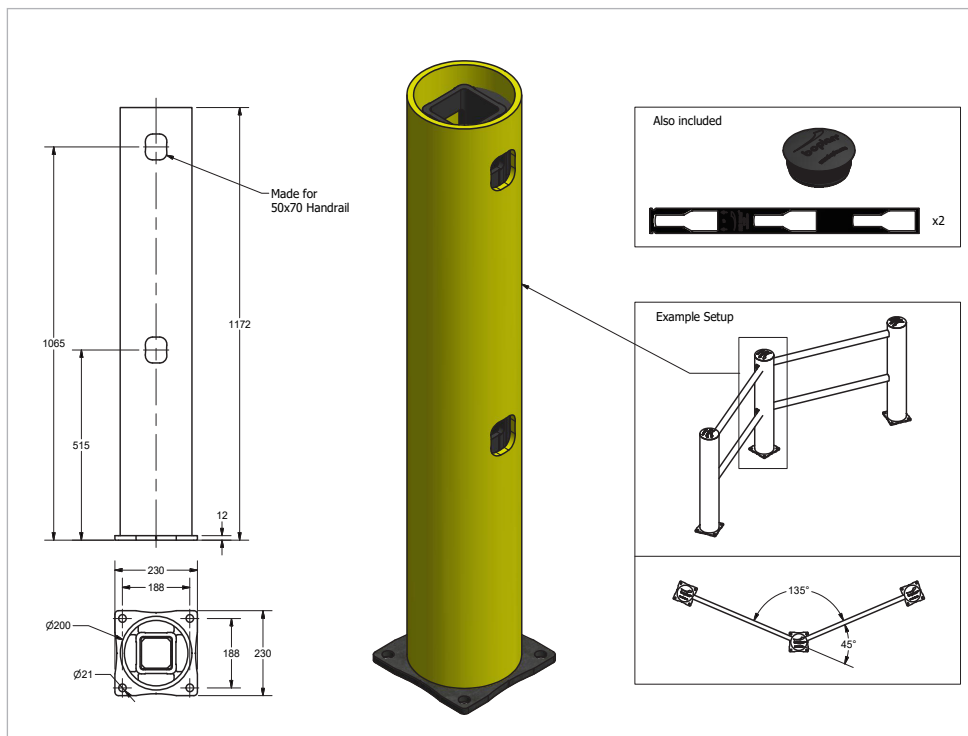
	ZINC COATED (ZC) Non - countersunk		ZINC COATED (ZC) COUNTERSUNK		STAINLESS STEEL (SS) Non - countersunk		
	YELLOW	MULTICOLOR ■□	YELLOW	MULTICOLOR ■□	YELLOW	MULTICOLOR ■□	
2R	1200 mm	BO2000-1200-C295HYEZ	BO2000-1200-C295HMCZ	BO2000-1200-C295HYEC	BO2000-1200-C295HMCC	BO2000-1200-C295HMYES	BO2000-1200-C295HMCES
	1201 - 1525 mm	BO2001-1525-C295HYEZ	BO2001-1525-C295HMCZ	BO2001-1525-C295HYEC	BO2001-1525-C295HMCC	BO2001-1525-C295HMYES	BO2001-1525-C295HMCES
	1600 - 2000 mm	BO2001-2000-C295HYEZ	BO2001-2000-C295HMCZ	BO2001-2000-C295HYEC	BO2001-2000-C295HMCC	BO2001-2000-C295HMYES	BO2001-2000-C295HMCES
	2100 - 2500 mm	BO2001-2500-C295HYEZ	BO2001-2500-C295HMCZ	BO2001-2500-C295HYEC	BO2001-2500-C295HMCC	BO2001-2500-C295HMYES	BO2001-2500-C295HMCES
HP	1200 mm	BO2000-1200-C395YEZ	BO2000-1200-C395MCZ	BO2000-1200-C395YEC	BO2000-1200-C395MCC	BO2000-1200-C395YES	BO2000-1200-C395MCS
	1201 - 1525 mm	BO2001-1500-C395YEZ	BO2001-1525-C395MCZ	BO2001-1500-C395YEC	BO2001-1525-C395MCC	BO2001-1500-C395YES	BO2001-1525-C395MCS
	1600 - 2000 mm	BO2001-2000-C395YEZ	BO2001-2000-C395MCZ	BO2001-2000-C395YEC	BO2001-2000-C395MCC	BO2001-2000-C395YES	BO2001-2000-C395MCS
	2100 - 2500 mm	BO2001-2500-C395YEZ	BO2001-2500-C395MCZ	BO2001-2500-C395YEC	BO2001-2500-C395MCC	BO2001-2500-C395YES	BO2001-2500-C395MCS
TB 2R	1200 mm	BO2000-1200-C295TYEZ	BO2000-1200-C295TMCZ	BO2000-1200-C295TYEC	BO2000-1200-C295TMCC	BO2000-1200-C295TYES	BO2000-1200-C295TMCS
	1201 - 1525 mm	BO2001-1500-C295TYEZ	BO2001-1500-C295TMCZ	BO2001-1500-C295TYEC	BO2001-1500-C295TMCC	BO2001-1500-C295TYES	BO2001-1500-C295TMCS
	1600 - 2000 mm	BO2001-2000-C295TYEZ	BO2001-2000-C295TMCZ	BO2001-2000-C295TYEC	BO2001-2000-C295TMCC	BO2001-2000-C295TYES	BO2001-2000-C295TMCS
	2100 - 2500 mm	BO2001-2500-C295TYEZ	BO2001-2500-C295TMCZ	BO2001-2500-C295TYEC	BO2001-2500-C295TMCC	BO2001-2500-C295TYES	BO2001-2500-C295TMCS



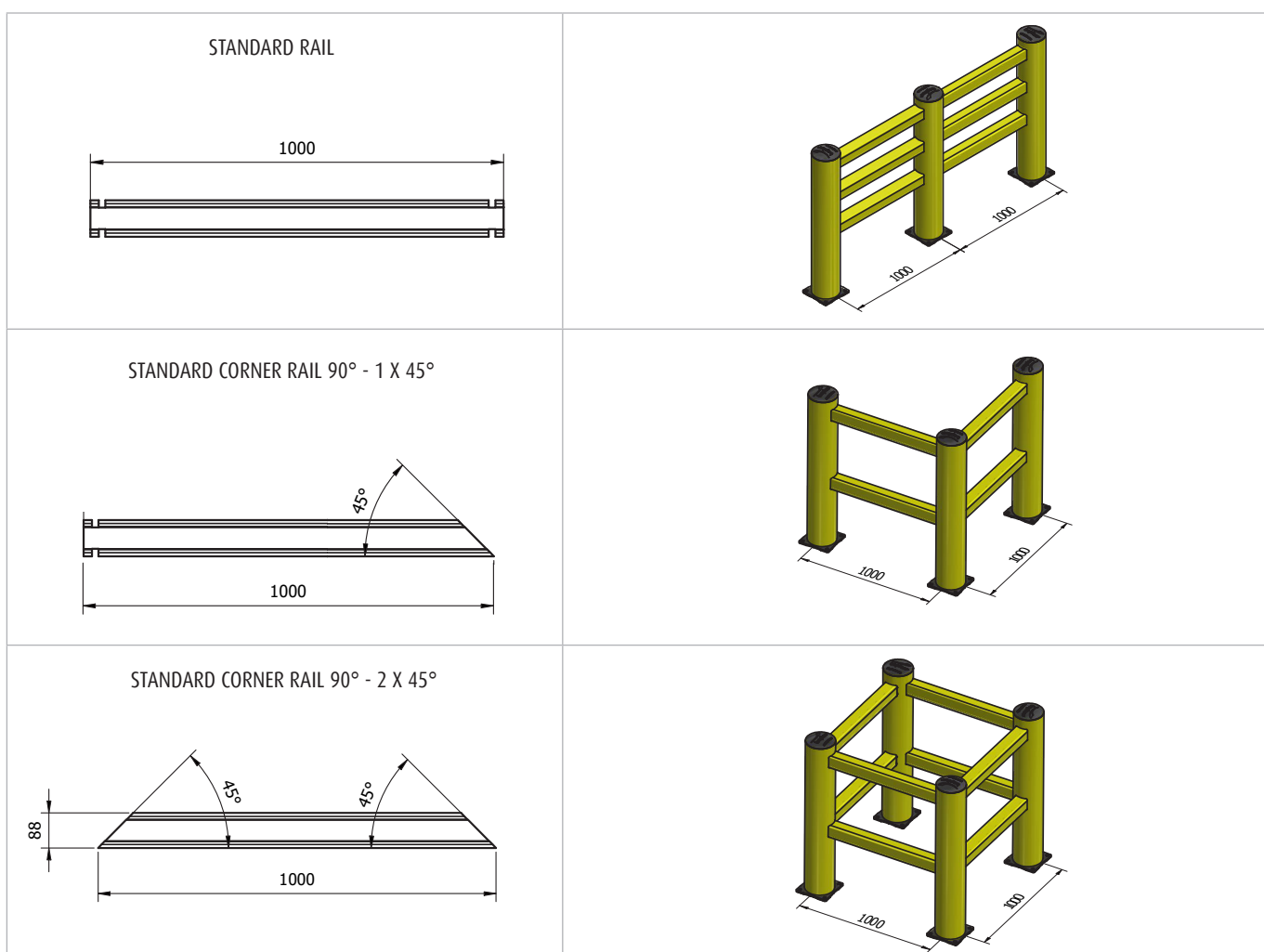


BOLLARD CORNER POST 45° (CP) - with handrails R50

		ZINC COATED (ZC) Non - countersunk		ZINC COATED (ZC) COUNTERSUNK		STAINLESS STEEL (SS) Non - countersunk		
		YELLOW	MULTICOLOR ■■	YELLOW	MULTICOLOR ■■	YELLOW	MULTICOLOR ■■	
HP	2R	1200 mm	BO2000-1200-C245HYEZ	BO2000-1200-C245HMCZ	BO2000-1200-C245HYEC	BO2000-1200-C245HMCC	BO2000-1200-C245HYES	BO2000-1200-C245HMCS
		1201 - 1525 mm	BO2001-1525-C245HYEZ	BO2001-1525-C245HMCZ	BO2001-1525-C245HYEC	BO2001-1525-C245HMCC	BO2001-1525-C245HYES	BO2001-1525-C245HMCS
		1600 - 2000 mm	BO2001-2000-C245HYEZ	BO2001-2000-C245HMCZ	BO2001-2000-C245HYEC	BO2001-2000-C245HMCC	BO2001-2000-C245HYES	BO2001-2000-C245HMCS
		2100 - 2500 mm	BO2001-2500-C245HYEZ	BO2001-2500-C245HMCZ	BO2001-2500-C245HYEC	BO2001-2500-C245HMCC	BO2001-2500-C245HYES	BO2001-2500-C245HMCS
3R		1200 mm	BO2000-1200-C345YEZ	BO2000-1200-C345MCZ	BO2000-1200-C345YEC	BO2000-1200-C345MCC	BO2000-1200-C345YES	BO2000-1200-C345MCS
		1201 - 1525 mm	BO2001-1500-C345YEZ	BO2001-1525-C345MCZ	BO2001-1500-C345YEC	BO2001-1525-C345MCC	BO2001-1500-C345YES	BO2001-1525-C345MCS
		1600 - 2000 mm	BO2001-2000-C345YEZ	BO2001-2000-C345MCZ	BO2001-2000-C345YEC	BO2001-2000-C345MCC	BO2001-2000-C345YES	BO2001-2000-C345MCS
		2100 - 2500 mm	BO2001-2500-C345YEZ	BO2001-2500-C345MCZ	BO2001-2500-C345YEC	BO2001-2500-C345MCC	BO2001-2500-C345YES	BO2001-2500-C345MCS
TB	2R	1200 mm	BO2000-1200-C245TYEZ	BO2000-1200-C245TMCZ	BO2000-1200-C245TYEC	BO2000-1200-C245TMCC	BO2000-1200-C245TYES	BO2000-1200-C245TMCS
		1201 - 1525 mm	BO2001-1500-C245TYEZ	BO2001-1500-C245TMCZ	BO2001-1500-C245TYEC	BO2001-1500-C245TMCC	BO2001-1500-C245TYES	BO2001-1500-C245TMCS
		1600 - 2000 mm	BO2001-2000-C245TYEZ	BO2001-2000-C245TMCZ	BO2001-2000-C245TYEC	BO2001-2000-C245TMCC	BO2001-2000-C245TYES	BO2001-2000-C245TMCS
		2100 - 2500 mm	BO2001-2500-C245TYEZ	BO2001-2500-C245TMCZ	BO2001-2500-C245TYEC	BO2001-2500-C245TMCC	BO2001-2500-C245TYES	BO2001-2500-C245TMCS



BOLLARD RAILS (R88)		1000 mm	300-1200 mm	1201-1750 mm
2R (R88)	Std rail - YE	BR0880-1000-S200YE	BR0881-1200-S200YE	BR0881-1750-S200YE
	Std Corner rail 90° - 1C 45° - YE	BR0880-1000-S21CYE	BR0881-1200-S21CYE	BR0881-1750-S21CYE
	Std Corner rail 90° - 2C 45° - YE	BR0880-1000-S22CYE	BR0881-1200-S22CYE	BR0881-1750-S22CYE
3R (R88)	Std rail - YE	BR0880-1000-S300YE	BR0881-1200-S300YE	BR0881-1750-S300YE
	Std Corner rail 90° - 1C 45° - YE	BR0880-1000-S31CYE	BR0881-1200-S31CYE	BR0881-1750-S31CYE
	Std Corner rail 90° - 2C 45° - YE	BR0880-1000-S32CYE	BR0881-1200-S32CYE	BR0881-1750-S32CYE





STRIPES			
	Black	White	Yellow
1 STRIPE	PA0300-0200-0001BL	PA0300-0200-0001WH	PA0300-0200-0001YE
2 STRIPES	PA0300-0200-0002BL	PA0300-0200-0002WH	PA0300-0200-0002YE
3 STRIPES	PA0300-0200-0003BL	PA0300-0200-0003WH	PA0300-0200-0003YE



Remark: Stripes cannot be ordered separately

BOLLARD WITH STRIPES INCLUDED			
	Black	White	Yellow
1 STRIPE			
2 STRIPES			
3 STRIPES	B02000-1200-3YEBLZ		



BOLLARD BELT CLOSING SYSTEM	
Environment	Quickly open and close restricted areas with the help of a belt barrier. Impact resistant solution. Indoor use only
Features	Material webbing: Nylon Colors: Highly visible due yellow/black stripes of the webbing. Automatic retracting mechanism



REFERENCES			
BO2000-1200-BBYE	Bollard Impact with integrated Belt Barrier and Key Lock	BO2000-1200-KLYE	Bollard Impact with integrated Key Lock
<p>Included</p>			